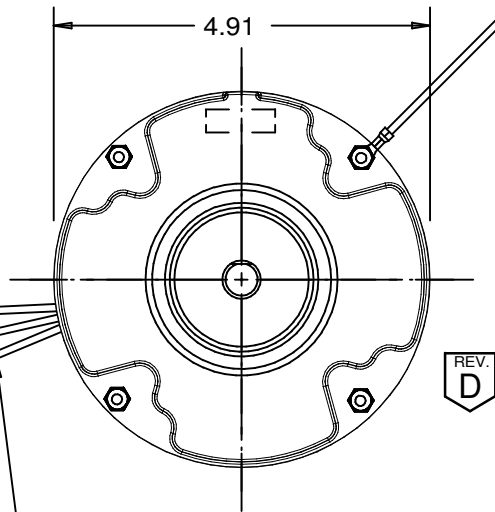
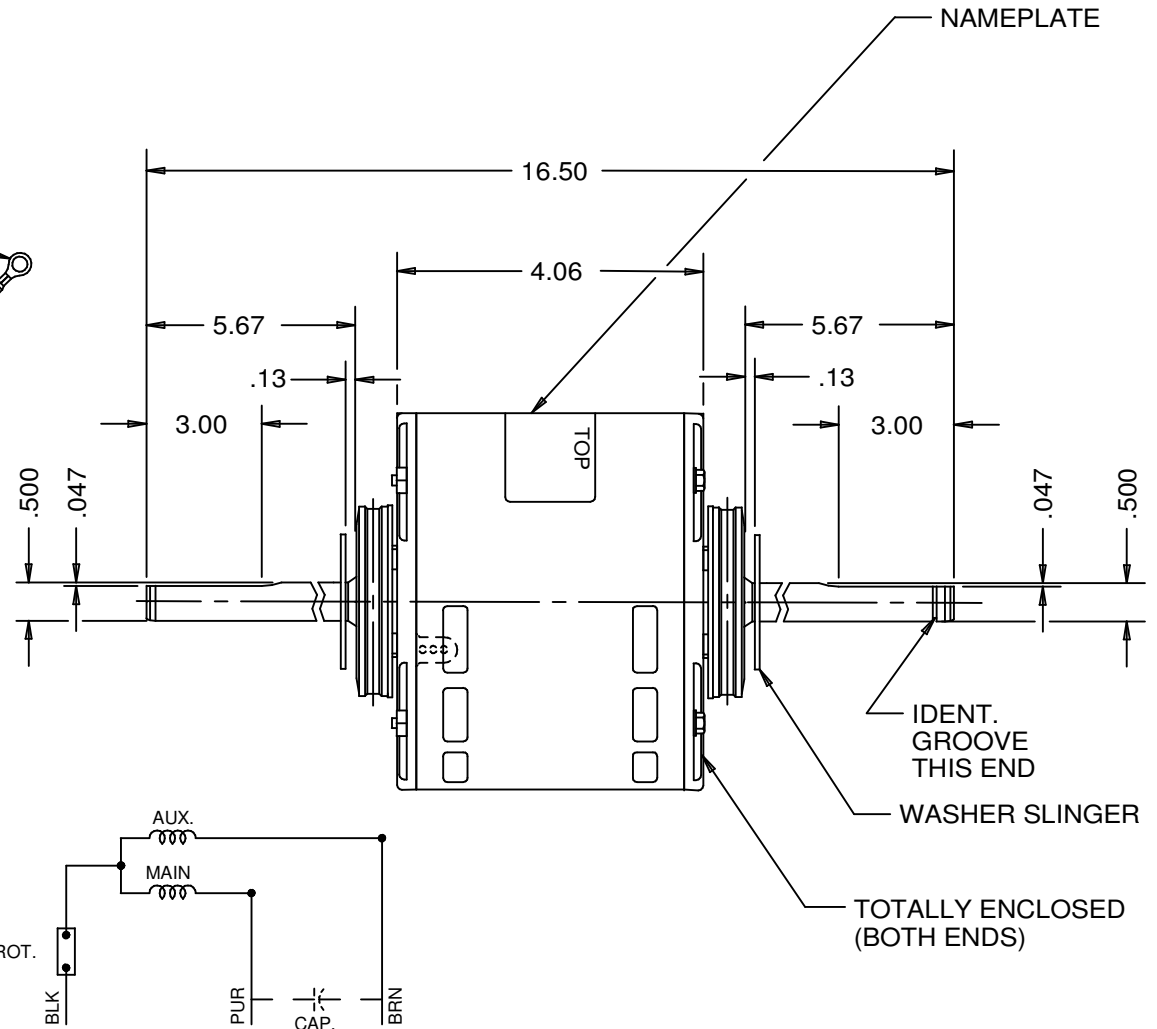


#16 GRN/YEL GROUND LEAD TO BE  
6.000±.250 BETWEEN CENTER OF  
TERMS. TERMS. TO FIT #10 SCREW  
ON EACH END.

(3) .250 STRAIGHT TYPE Q.C.  
TERMS. WITH INSUL. GRIP



TO EXTEND BEYOND MOTOR  
BLK=32.000, BRN=25.000  
PUR=25.000



USE WITH 5.0 MFD 370-VAC CAPACITOR

NIDEC MOTOR CORPORATION 07-Apr-11

MODEL	REF	CUSTOMER	HP	VOLTS	AMPS	HZ	RPM	BEARING	PROTECTOR
K48HXT-1124		STANDARD	1/5	208-230	1.3	60/50	1075	SLEEVE	AUTOMATIC
								ROTATION	CUSTOMER PN
								CW LEAD END	CAT. NO. 1124

SHEET NUMBER	REV	REVISION RECORD FOR: C3102-00	
1 OF 1	D	CHANGED VIEW OF ENDSHIELD.	
REVISION DATE			
06-APR-11			

INFORMATION DISCLOSED ON THIS DOCUMENT IS CONSIDERED PROPRIETARY AND SHALL NOT BE REPRODUCED OR DISCLOSED WITHOUT WRITTEN CONSENT OF NIDEC MOTOR CORPORATION

ALL DIMENSIONS ARE FOR REFERENCE ONLY UNLESS TOLERANCE IS GIVEN

**NIDEC MOTOR CORPORATION**

ISSUED BY	REVIEWED BY	ENGINEER APPROVED
J. CORONADO	B. GAITAN	B. GAITAN

TITLE	CODE	ITEM NO.	SIZE
ASSEMBLED VIEW	V01	253574	A