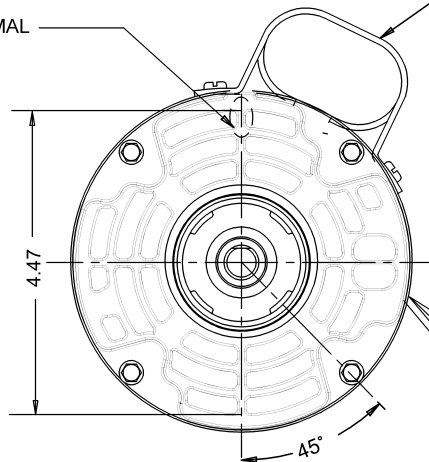


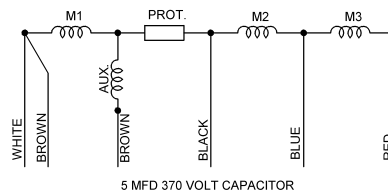
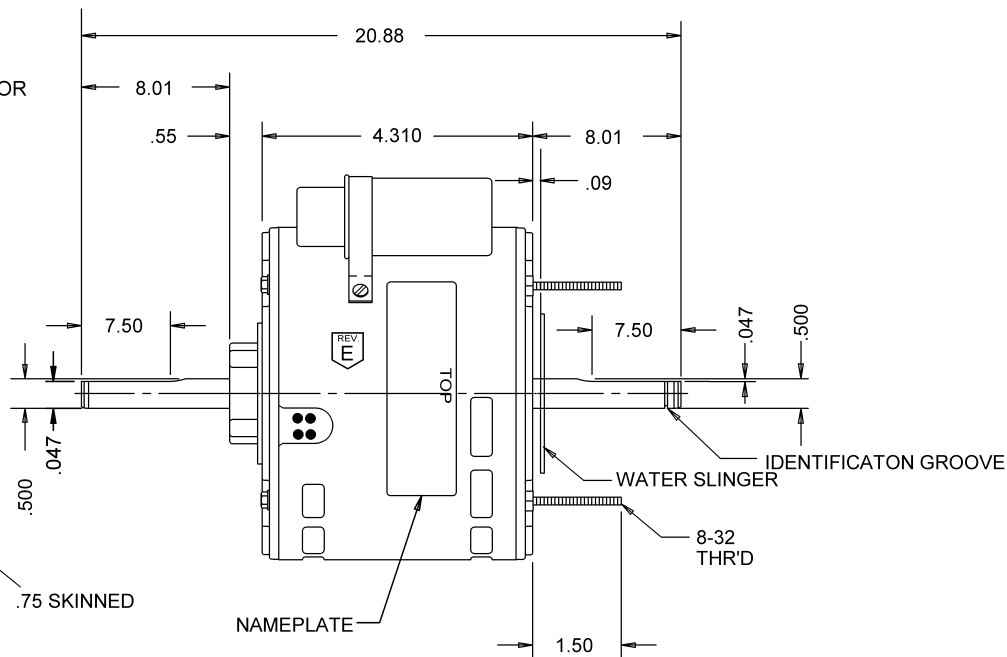
- SHIPPED DETACHED
- 1- DUMMY END SHIELD
- 8- 8-32 NUTS
- 1- HUB RINGS
- 4- OUTER HUB RINGS

AUTOMATIC THERMAL PROTECTOR



4 LEADS TO EXTEND 20" BEYOND MOTOR

CAPACITOR



MODEL	REF	CUSTOMER	HP	VOLTS	AMPS	HZ	RPM	ROTATION	CUSTOMER PN			
K48HXWHG-4397		WHOLESALE-HAC	1/4	230	1.6	60	1550/ 3 SPD	CCW. LEAD END	CAT NO.1221P			
SHEET NUMBER	REV	REVISION RECORD FOR: C6402-00				INFORMATION DISCLOSED ON THIS DOCUMENT IS CONSIDERED PROPRIETARY AND SHALL NOT BE REPRODUCED OR DISCLOSED WITHOUT WRITTEN CONSENT OF NIDEC MOTOR CORPORATION				NIDEC MOTOR CORPORATION		
1 OF 1	E	UPDATED ENGINEER APPROVED TO B. GAITAN										
		DELETED LABEL										
REVISION DATE						ALL DIMENSIONS ARE FOR REFERENCE ONLY UNLESS TOLERANCE IS GIVEN						
02-NOV-12						TITLE				CODE	ITEM NO.	SIZE
ISSUED BY	REVIEWED BY	ENGINEER APPROVED	REV	ASSEMBLED VIEW				V01	776456	B		
R. MORALES	M. LARGENT	B. GAITAN	E									

NIDEC MOTOR CORPORATION 05-Nov-12