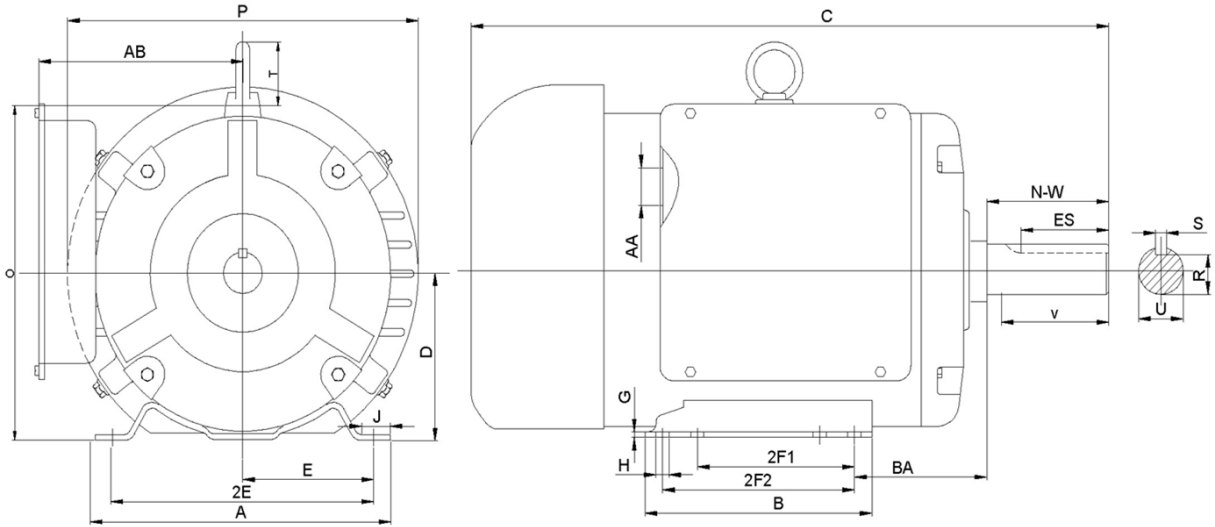


F213T7.5S4C

FARM DUTY ELECTRIC MOTOR
 HIGH STARTING TORQUE
 SINGLE PHASE - CAPACITOR START / CAPACITOR RUN
 ROLLED STEEL CONSTRUCTION
 TOTALLY ENCLOSED FAN COOLED



DIMENSIONS

HP	RPM	Frame	MOUNTING														
			A	B	C	D	G	H	J	E	2E	2F1	2F2	O	P	T	BA
7.5	1800	213T	9.5	8.3	20.3	4.5	0.6	0.41	2	4.25	7.5	5.5	7	9.1	8.7	1.6	2.75

Shaft Extension, Key Set						Conduit Box		Bearings		Mount
U	V	R	S	ES	N-W	AA	AB	DE	ODE	
1.375	2.5	0.986	0.25	1.78	2.75	0.75	7.5	6307-2RZC3	6206-2RZC3	F1

BEARING LUBRICATION: The bearings come lubricated with Mobil Polyrex EM Polyurea Grease.



F213T7.5S4C

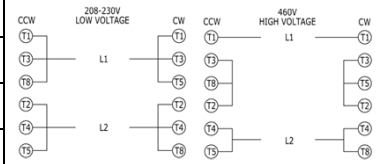
**FARM DUTY ELECTRIC MOTOR
HIGH STARTING TORQUE
SINGLE PHASE - CAPACITOR START / CAPACITOR RUN
ROLLED STEEL CONSTRUCTION**

PERFORMANCE DATA

HP	RPM	Frame	Voltage	Frequency (Hz)	Full Load S.F.	Insulation Class	NEMA Design	Slip (%)	NEMA Code	Enclosure Type	IP Rating	Max. Ambient
7.5	1750	213T	208-230/460V	60	1.15	F	L	2.8	H	TEFC	IP44	40°C

Amps (460V)		Efficiency (%)			Power Factor			Torque (ft-lb)			DE Bearing	ODE Bearing	Connection	Weight (lbs.)
FLA	LRA	100%	75%	50%	100%	75%	50%	FLT	LRT %	BDT %				
14.6	114.9	84.6	82	79	0.98	0.96	0.93	30.48	321	240	6307-2RZC3	6206-2RZC3	6 Lead	140

NAME PLATE											
						FARM DUTY					
						HIGH STARTING TORQUE					
SINGLE PHASE ELECTRIC MOTOR						TOTALLY ENCLOSED FAN COOLED					
MODEL		HP	7.5	RPM	1750	FRAME	213T				
F213T7.5S4C		ENCL	TEFC	HZ	60	PHASE	1				
VOLT 208-230/460V		AMPS	14.6	S.F.	1.15	DESIGN	L				
S.F. AMPS		CLASS	F	CODE	H	LBS	0				
DE BEARING				6307-2RZC3							
ODE BEARING				6206-2RZC3							
MAX AMB.		40°C	RATING		CONT						
SER											
General purpose use on equipment and farm duty machinery requiring high starting torques. <div style="display: flex; justify-content: space-around; align-items: center;"> </div>											
Hernando, Mississippi											



APPLICATIONS:

General purpose use on pumps, fans, conveyors, poultry equipment, air compressors and other farm duty machinery requiring high starting torques.