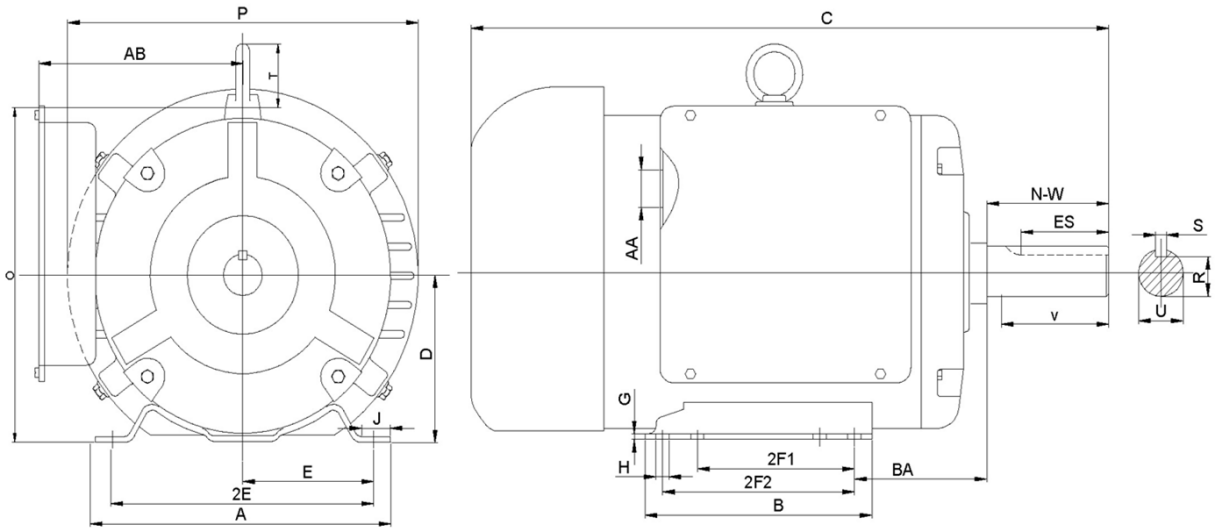


F215T10S4C

FARM DUTY ELECTRIC MOTOR
 HIGH STARTING TORQUE
 SINGLE PHASE - CAPACITOR START / CAPACITOR RUN
 ROLLED STEEL CONSTRUCTION
 TOTALLY ENCLOSED FAN COOLED



DIMENSIONS

HP	RPM	Frame	MOUNTING														
			A	B	C	D	G	H	J	E	2E	2F1	2F2	O	P	T	BA
10	1800	215T	11	9.4	20.4	5.25	0.7	0.41	2.4	4.25	8.5	5.5	7	11.2	11.6	1.9	3.5

Shaft Extension, Key Set						Conduit Box		Bearings		Mount
U	V	R	S	ES	N-W	AA	AB	DE	ODE	
1.375	3.12	1.201	0.312	2.41	3.38	1	9	6307-2RZC3	6206-2RZC3	F1

BEARING LUBRICATION: The bearings come lubricated with Mobil Polyrex EM Polyurea Grease.



F215T10S4C

**FARM DUTY ELECTRIC MOTOR
HIGH STARTING TORQUE
SINGLE PHASE - CAPACITOR START / CAPACITOR RUN
ROLLED STEEL CONSTRUCTION**

PERFORMANCE DATA

HP	RPM	Frame	Voltage	Frequency (Hz)	Full Load S.F.	Insulation Class	NEMA Design	Slip (%)	NEMA Code	Enclosure Type	IP Rating	Max. Ambient
10	1738	215T	208-230/460V	60	1.15	F	L	3.6	G	TEFC	IP44	40°C

Amps (460V)		Efficiency (%)			Power Factor			Torque (ft-lb)			DE Bearing	ODE Bearing	Connection	Weight (lbs.)
FLA	LRA	100%	75%	50%	100%	75%	50%	FLT	LRT %	BDT %				
18.9	133.8	88.7	85	80	0.97	0.96	0.93	40.89	299	225	6307-2RZC3	6206-2RZC3	6 Lead	150

NAME PLATE							
North American Electric, Inc.			FARM DUTY HIGH STARTING TORQUE SINGLE PHASE ELECTRIC MOTOR TOTALLY ENCLOSED FAN COOLED				
MODEL	HP	10	RPM	1738	FRAME	215T	
F215T10S4C	ENCL	TEFC	HZ	60	PHASE	1	
VOLT	208-230/460V	AMPS	18.9	S.F.	1.15	DESIGN	L
S.F. AMPS		CLASS	F	CODE	G	LBS	0
DE BEARING		6307-2RZC3					
ODE BEARING		6206-2RZC3					
MAX AMB.	40°C	RATING	CONT				
SER							
General purpose use on equipment and farm duty machinery requiring high starting torques.							
Hernando, Mississippi							

APPLICATIONS:

General purpose use on pumps, fans, conveyors, poultry equipment, air compressors and other farm duty machinery requiring high starting torques.