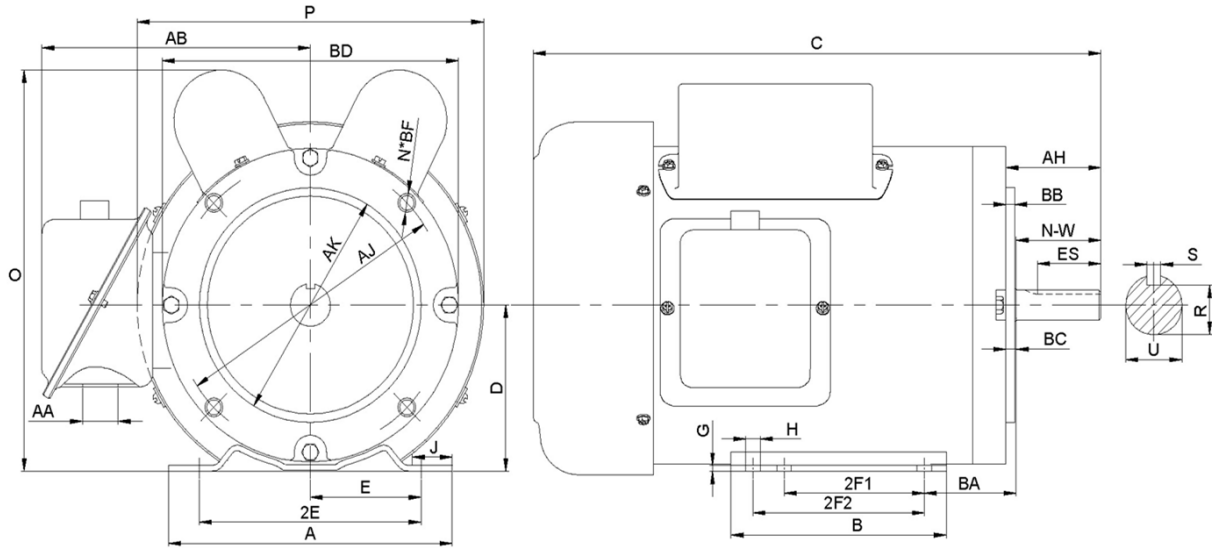


## F56C1/3S4C-MO

FARM DUTY ELECTRIC MOTOR  
 HIGH STARTING TORQUE - MANUAL OVERLOAD  
 SINGLE PHASE - CAPACITOR START / CAPACITOR RUN  
 ROLLED STEEL CONSTRUCTION  
 TOTALLY ENCLOSED FAN COOLED



### DIMENSIONS

HP	RPM	Frame	MOUNTING														
			A	B	C	D	G	H	J	E	2E	2F1	2F2	O	P	T	BA
1/3	1800	56C	6.3	3.94	14.57	3.5	0.12	0.34	1.46	2.44	4.88	3	NA	8.46	7.01	NA	2.75

FLANGE							Shaft Extension, Key Set					
AH	AJ	AK	BB	BC	BD	BF	U	V	R	S	ES	N-W
2.06	5.875	4.5	0.16	0.19	6.5	4*3/8-16	0.625	1.5	0.517	0.188	1.41	1.88

Conduit Box		Bearings		Mount
AA	AB	DE	ODE	
0.81	6.18	6203-2RZC3	6203-2RZC3	F1

**BEARING LUBRICATION:** The bearings come lubricated with Mobile Polyrex EM Polyurea Grease.



## F56C1/3S4C-MO

**FARM DUTY ELECTRIC MOTOR**  
**HIGH STARTING TORQUE - MANUAL OVERLOAD**  
**SINGLE PHASE - CAPACITOR START / CAPACITOR RUN**  
**ROLLED STEEL CONSTRUCTION**  
**TOTALLY ENCLOSED FAN COOLED**

### PERFORMANCE DATA

HP	RPM	Frame	Voltage	Frequency (Hz)	Full Load S.F.	Insulation Class	NEMA Design	Slip (%)	NEMA Code	Enclosure Type	IP Rating	Max. Ambient
1/3	1750	56C	115/208-230V	60	1.15	F	N	2.8	N	TEFC	IP44	40°C

Amps (230V)		Efficiency (%)			Power Factor			Torque (ft-lb)			DE Bearing	ODE Bearing	Connection	Weight (lbs.)
FLA	LRA	100%	75%	50%	100%	75%	50%	FLT	LRT %	BDT %				
2.58	16.6	51.8	46.2	36.1	0.79	0.78	0.73	1.35	330	326	6203-2RZC3	6203-2RZC3	5 Lead/P1,P2	22

### NAME PLATE

		<b>FARM DUTY</b> HIGH STARTING TORQUE MANUAL OVERLOAD SINGLE PHASE ELECTRIC MOTOR	
MODEL	F56C1/3S4C-MO	HP	1/3
FRAME	56C	ENCL	TEFC
RPM	1750	PH	1
DESIGN	N	CODE	N
		HZ	60
		CLASS	F
		S.F.	1.15
DE BRG	6203-2RZC3	ODE BRG	6203-2RZC3
VOLT	115/208-230V	LBS	22
AMPS	4.99/2.31-2.58	DUTY	CONT
S.F. AMPS	5.2/3-2.7	MAX AMB	40°C
SERIAL NUMBER			
115V LOW VOLTAGE CCW (P1) — L1 — CW (P1) (P2) — (P2) (T3) — (T3) (T8) — (T8) (T2) — (T2) (T4) — L2 — (T4) (T5) — (T5)		208-230V HIGH VOLTAGE CCW (P1) — L1 — CW (P1) (P2) — (P2) (T3) — (T3) (T8) — (T8) (T2) — (T2) (T4) — L2 — (T4) (T5) — (T5)	
Hernando, MS www.naemotors.com		ISO9001 CERTIFIED	