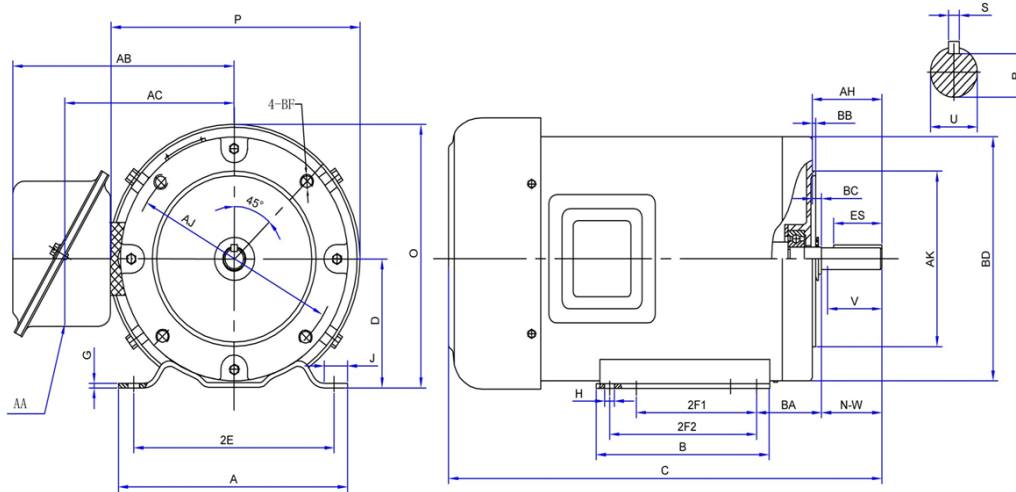


F56C3/4M2A

GENERAL PURPOSE ELECTRIC MOTOR
 HIGH EFFICIENCY / EISA COMPLIANT
 TOTALLY ENCLOSED FAN COOLED
 ROLLED STEEL CONSTRUCTION
 INVERTER RATED (10:1 VT; 5:1 CT)



DIMENSIONS

| HP | RPM | Frame | MOUNTING | | | | | | | | | | | | | | |
|-----|------|-------|----------|------|-------|------|------|------|------|------|------|------|-----|------|------|----|------|
| | | | A | B | C | D | G | H | J | E | 2E | 2F1 | 2F2 | O | P | T | BA |
| 3/4 | 3600 | 56C | 6.30 | 3.94 | 11.80 | 3.50 | 0.12 | 0.35 | 1.46 | 2.44 | 4.88 | 3.00 | NA | 7.00 | 6.97 | NA | 2.75 |

| FLANGE | | | | | | | Shaft Extension, Key Set | | | | | | |
|--------|-------|------|------|-------|------|-----------|--------------------------|------|-------|-------|------|------|--|
| AH | AJ | AK | BB | BC | BD | BF | U | V | R | S | ES | N-W | |
| 2.07 | 5.875 | 4.50 | 0.16 | -0.19 | 6.50 | 3/8-16UNC | 0.625 | 1.50 | 0.517 | 0.188 | 1.38 | 1.88 | |

| Conduit Box | | Bearings | | Mount |
|-------------|------|----------|------|-------|
| AA | AB | DE | ODE | |
| 0.80 | 6.30 | 6203 | 6203 | F1 |

BEARING LUBRICATION: The bearings come lubricated with Mobile Polyrex EM Polyurea Grease.



F56C3/4M2A

GENERAL PURPOSE ELECTRIC MOTOR
HIGH EFFICIENCY / EISA COMPLIANT
TOTALLY ENCLOSED FAN COOLED
ROLLED STEEL CONSTRUCTION
INVERTER RATED (10:1 VT; 5:1 CT)

PERFORMANCE DATA

| HP | RPM | Frame | Voltage | Frequency (Hz) | Full Load S.F. | Insulation Class | NEMA Design | Slip (%) | NEMA Code | Enclosure Type | IP Rating | Max. Ambient |
|-----|------|-------|-------------|----------------|----------------|------------------|-------------|----------|-----------|----------------|-----------|--------------|
| 3/4 | 3520 | 56C | 208-230/460 | 60HZ | 1.15 | F | B | 2.2 | K | TEFC | IP44 | 40°C |

| Amps (460V) | | Efficiency (%) | | | Power Factor | | | Torque (ft-lb) | | | DE Bearing | ODE Bearing | Connection | Weight (lbs.) |
|-------------|------|----------------|-----|-----|--------------|------|-----|----------------|-------|-------|------------|-------------|------------|---------------|
| FLA | LRA | 100% | 75% | 50% | 100% | 75% | 50% | FLT | LRT % | BDT % | | | | |
| 1.43 | 7.71 | 66.7 | 65 | 62 | 0.73 | 0.64 | 0.5 | 1.51 | 150 | 420 | 6203-2RZC3 | 6203-2RZC3 | 9 Lead Y | 20 |

| NAME PLATE | | | | | | | | | | | |
|--|-------------|----------|-------------|------|-------|---|----|--|--|--|--|
| | | | | | | GENERAL PURPOSE HIGH EFFICIENCY DESIGN TOTAL ENCLOSED FAN COOLED | | | | | |
| THREE PHASE ELECTRIC MOTOR | | | | | | | | | | | |
| MODEL | HP | 3/4 | RPM | 3520 | FRAME | 56C | | | | | |
| F56C3/4M2A | ENCL | TEFC | HZ | 60HZ | PHASE | 3 | | | | | |
| VOLT | 208-230/460 | AMPS | 3.0-2.8/1.4 | S.F. | 1.15 | DESIGN | B | | | | |
| S.F. AMPS | 3.2-3.0/1.5 | CLASS | F | CODE | K | LBS | 20 | | | | |
| DE BEARING | 6203-2RZC3 | | | | | | | | | | |
| ODE BEARING | 6203-2RZC3 | | | | | | | | | | |
| RATING | CONT | MAX AMB. | 40°C | | | | | | | | |
| SER | | | | | | | | | | | |
| Hernando, MS www.naemotors.com | | | | | | | | | | | |

APPLICATIONS:

General purpose use on pumps, fans, blowers, compressors, conveyors, material handling and other industrial machinery installed in damp, dusty or dirty environments.