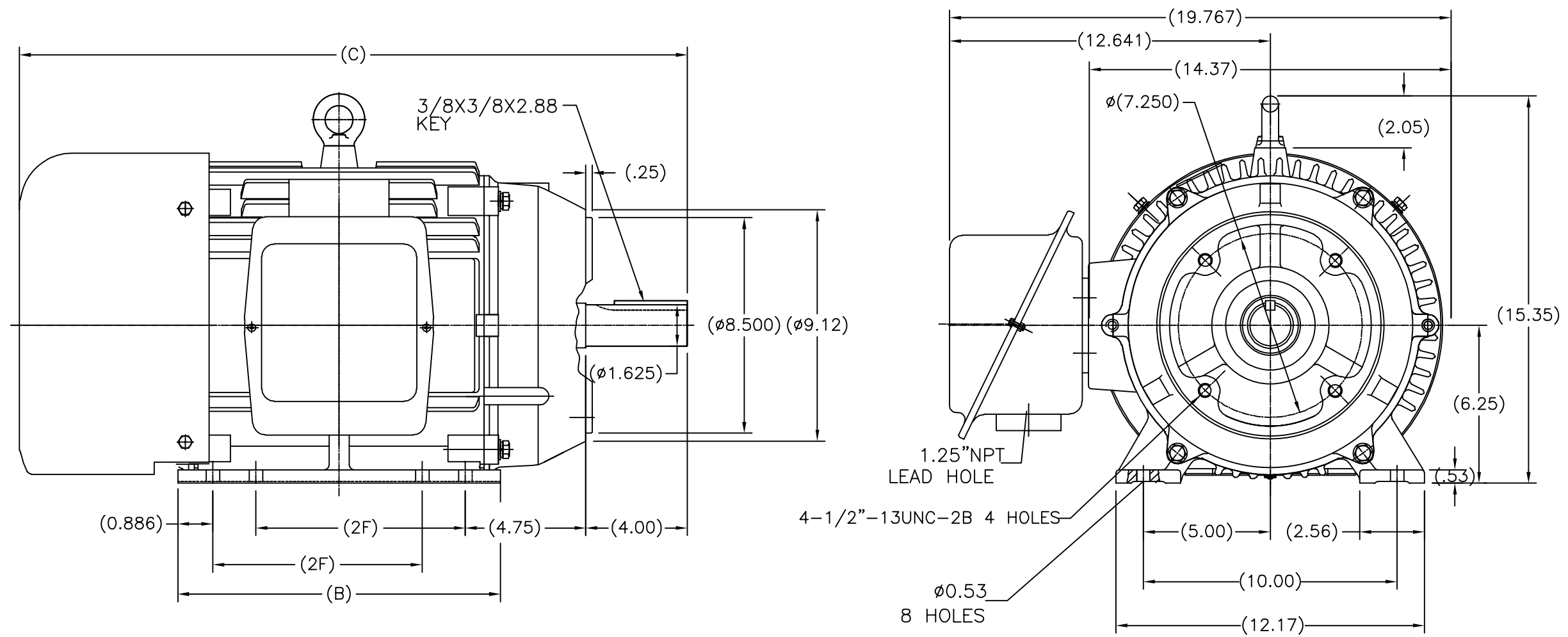


SS620298



254	26.60	12.717	8.25
256	27.80	13.898	10.00
FRAME	C	B	2F

		TOLERANCES UNLESS SPECIFIED		REGAL-BELOIT CORPORATION		DRAWN ZYH 04-22-2012	
		DEC.	INCHES			CHK HZJ 04-22-2012	
		.X	±.1			APPD WGH 04-22-2012	
		.XX	±.03	TITLE		SCALE 1=4	
		.XXX	±.005	254/256TC FR-TEFC-CAST IRON		REF	
D	UPDATED DWG SENT FROM CHINA ECO-0074012	WGJ 5-6-2015	EMH	.XXXX	±.0005	MAT'L. FMF HWADA	
NO.	REVISION	BY & DATE	CHK	ANG	±1/2	FINISH PREV	
THIS DRAWING IN DESIGN AND DETAIL IS OUR PROPERTY AND MUST NOT BE USED EXCEPT IN CONNECTION WITH OUR WORK ALL RIGHTS OF DESIGN AND INVENTION ARE RESERVED THIS IS AN ELECTRONICALLY GENERATED DOCUMENT - DO NOT SCALE THIS PRINT				RFP	CAD FILE	SS620298	SIZE
				DIST			DRAWING NO.
							B SS620298
							REV. D