



WORLDWIDE ELECTRIC MOTOR DATA SHEET

IXPEWWE30-12-326T



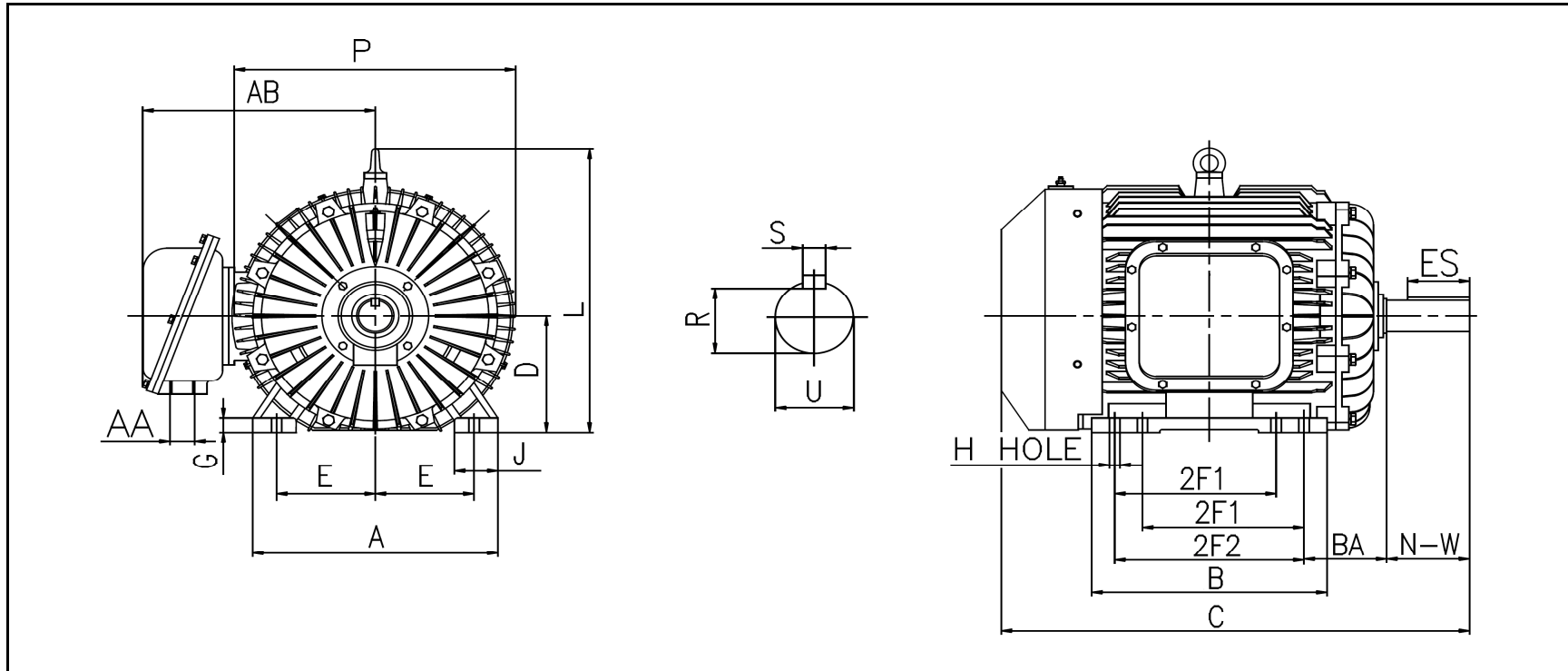
HORSEPOWER	30		
RPM / POLES	1200 / 6		
VOLTAGE / PHASE	230 / 460 V / 3		
FRAME	326T		
ENCLOSURE / DEGREE OF PROTECTION	TEFC / IP55		
FREQUENCY	60 HZ Suitable For 50 HZ Operation With 1.0 SF		
FULL LOAD SPEED	1187 RPM		
SERVICE FACTOR	1.15 SF		
INSULATION CLASS	F		
FULL LOAD AMPS	69.0 / 34.5 A		
LOCKED ROTOR AMPS (STARTING)	435 / 217.5 A		
NO LOAD CURRENT			
NEMA CODE LETTER	G		
EFFICIENCY / POWER FACTOR	<u>LOAD</u>	<u>EFF.</u>	<u>P.F.</u>
	100%	93.0%	0.83
	75%	93.2%	0.83
	50%	92.8%	0.75
DUTY CYCLE	S1 / Continuous		
TORQUE	<u>FULL LOAD</u>	<u>LRT</u>	<u>BDT</u>
	132.7 lb.ft.	135%	200%
SLIP	1.08%		
NEMA DESIGN	B		
MOMENT OF INERTIA			
NUMBER OF STARTS (Hot / Cold)	1 Hot / 2 Cold (Per Hour)		
MAX. AMBIENT TEMPERATURE	40° C		
MAX. ELEVATION	3300 Ft. Above Sea Level		
TEMPERATURE RISE (At Full Load)	80° C		
DE BEARING	6312		
ODE BEARING	6312		
GREASE TYPE	Mobil Polyrex EM		
MOUNTING	F1		
ROTATION	Bi-Directional		
APPROXIMATE WEIGHT	739 lbs.		
TEMPERATURE CODE AT 40°C AMBIENT	T3C		
TEMPERATURE CODE AT 55°C AMBIENT	T2C		
AREA CLASSIFICATION	Class I, Division I, Groups C & D		
	Class II, Division I, Groups F & G		
INVERTER RATING	5:1 CT / 10:1 VT PWM Type		





WORLDWIDE ELECTRIC MOTOR DRAWING

IXPEWWE-326T



MOUNTING					A	B	C	D	G	J
E	2F1	2F2	H	BA	A	B	C	D	G	J
6.25	10.5	12	0.66	5.25	15.6	14.9	31.8	8	0.98	2.76

L	P	AA	AB	KEY	KEYSEAT	SHAFT	N-W	U
L	P	AA	AB	ES	S	R	N-W	U
19.9	18.03	2	15.4	3.94	0.5	1.854	5.25	2.125

ALL DIMENSIONS IN INCHES

REVISED - 09/16/16