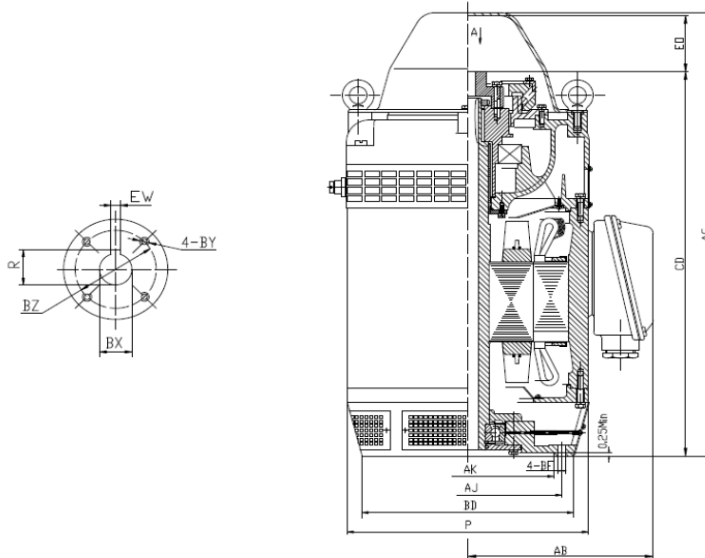


# NAE-VHS-400-4-EHT

## NEMA Standard Vertical Hollow Shaft Motor

Energy Efficient – Three Phase – ODP – WP1-AC Motor-Suitable for Part Wind Start



### DIMENSIONS – INCHES

BD	AJ	AK	BF	BZ	EW	R	BY	CD	EO>	AC
24.5	14.75	13.5	0.688	2.50	0.50	2.162	1/4-20	53.88	7.82	22.25
AA	AF	P	AB	AG	Upper Bearing Oil Capacity		Down Thrust	BX		
2-NPT3"	9.05	29.125	27.375	61.875	12.0	24000 lbs.	1.938			

NOTE: Optional BX Coupling Dimensions Available.

### PERFORMANCE DATA

Three Phase – 60Hz - 460V – NEMA Design B - Max. Ambient: 40° C

HP	Speed	Frame	NEMA Code	Efficiency (%)			Power Factor %			Torque (ft-lb)		
				100%	75%	50%	100%	75%	50%	FLT	BDT%	LRT%
400	1780	5008P	G	95.3	94.5	93.9	89.0	88.5	87.1	1591	190	170
Amps ( 460V)		Angular Contact Bearing	Radial Ball Bearing	Insulation Class	Enclosure Type	Service Factor	Weight (lbs)					
FLA	LRA											
476	2761	7236B/DT	6322	F	ODP	1.15	4231					

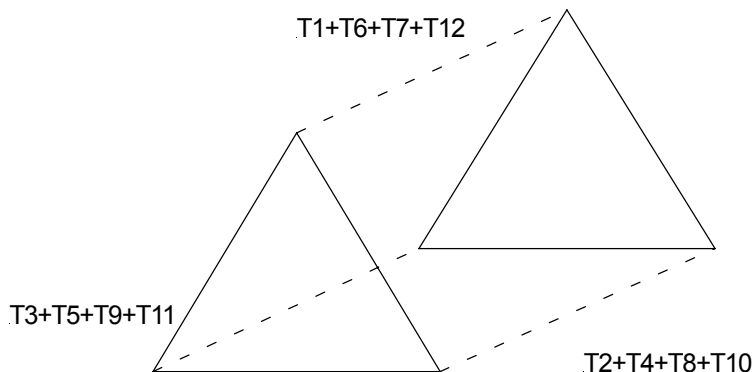


North American Electric, Inc. 350 Vaiden Drive, Hernando, MS 38632

Toll Free: 1-800-884-0405 Phone: 662-429-8049 Fax: 662-429-8546

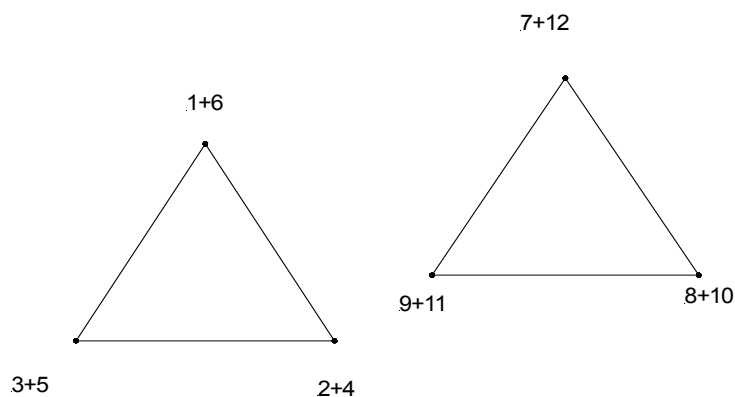
[www.naemotors.com](http://www.naemotors.com)

## Across The Line Start 12 Lead DELTA Connection 460V 60Hz



L1	L2	L3
T1+T6+T7+T12	T2+T4+T8+T10	T3+T5+T9+T11

## Part Wind Start 12 Lead DELTA Connection 460V 60Hz



T1	T2	T3
1+6	2+4	3+5
T7	T8	T9
7+12	8+10	9+11