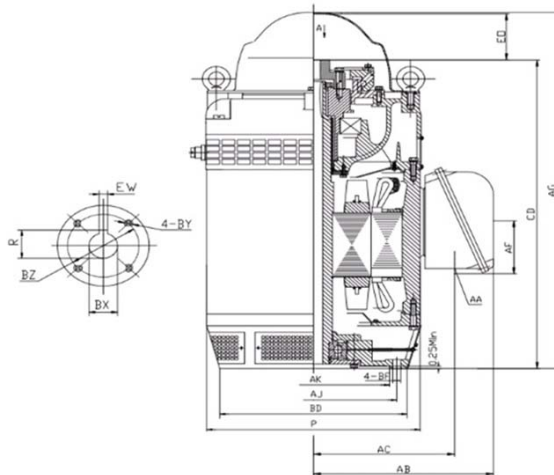


NAE-VHS-60-4

**VERTICAL HOLLOW SHAFT MOTOR
HIGH THRUST DESIGN
THREE PHASE, OPEN DRIP PROOF (WP1) ENCLOSURE
NON-REVERSE BALL BEARING RATCHET
COUPLING INCLUDED**



DIMENSIONS

| HP | RPM | Frame | MOUNTING DIMENSIONS | | | | | | | | | | | | | |
|----|------|-------|---------------------|--------|-------|------|------|------|------|-------|--------|-------|------|-------|------|------|
| | | | BD | AJ | AK | BF | BX | BZ | EW | R | BY | CD | E0 > | AC | AA | AF |
| 60 | 1770 | 364TP | 16.50 | 14.750 | 13.50 | 0.69 | 1.25 | 1.75 | 0.25 | 1.367 | 1/4-20 | 31.16 | 4.78 | 12.56 | 3.00 | 5.83 |

| OVERALL DIMENSIONS | | | BEARINGS | |
|--------------------|-------|-------|----------|--------|
| P | AB | AG | UPPER | BOTTOM |
| 19.10 | 16.14 | 36.00 | 7224B | 6314 |

COUPLING: Motor comes with a 1.25" coupling. You may select a different size coupling at no extra charge.

BEARING LUBRICATION: The bottom bearing comes lubricated with Mobile Polyrex EM Polyurea Grease.

OIL RESERVOIR: Motor is shipped without oil. The oil capacity is 4 quarts.

STEADY BUSHING: Motor is designed to accept a steady bushing. The bore size is 1.654 inches.





NAE-VHS-60-4

**VERTICAL HOLLOW SHAFT MOTOR
HIGH THRUST DESIGN
THREE PHASE, OPEN DRIP PROOF (WP1) ENCLOSURE
NON-REVERSE BALL BEARING RATCHET**

PERFORMANCE DATA

| HP | RPM | Frame | Voltage | Frequency (Hz) | Full Load S.F. | Insulation Class | NEMA Design | Slip (%) | NEMA Code | Enclosure Type | IP Rating | Max. Ambient | Rating CONT |
|----|------|-------|---------|----------------|----------------|------------------|-------------|----------|-----------|----------------|-----------|--------------|-------------|
| 60 | 1770 | 364TP | 230/460 | 60 | 1.15 | F | B | 1.7 | C | WP1 | 23 | 40° C | S1 |

| Amps (460V) | | Efficiency (%) | | | | Power Factor | | | Torque (ft-lb) | | | Down Thrust | Angular Contact Bearing | Radial Ball Bearing | Connection | Weight (lbs.) |
|-------------|-------|----------------|------|------|------|--------------|------|------|----------------|-------|-------|-------------|-------------------------|---------------------|--------------|---------------|
| FLA | LRA | 100% | 75% | 50% | Min. | 100% | 75% | 50% | FLT | LRT % | BDT % | 5600 | UPPER | BOTTOM | 12 Lead 2Δ/Δ | 849 |
| 73.0 | 463.1 | 92.3 | 92.1 | 91.7 | 90.2 | 0.87 | 0.87 | 0.81 | 243.2 | 238 | 190 | | 7224B | 6314 | | |

NAME PLATE

| | | | | | | |
|---|--------------|-------|-------------|---|----------|--------------------------------|
| VERTICAL HOLLOW SHAFT ELECTRIC MOTOR INVERTER DUTY 10:1 VT; 5:1 CT HIGH THRUST DESIGN | | | | CONNECTION DIAGRAMS 208 - 230V | | |
| MODEL | NAE-VHS-60-4 | | PHASE | 3 | Hz | 60 |
| HP | 60 | FRAME | 364TP | VOLTS | 230/460 | |
| DESIGN | B | CODE | C | AMPS | 146 / 73 | |
| NOM EFF. | 92.3 | P.F. | 0.87 | INSULATION CLASS | F | |
| RATING CONT | S1 | S.F. | 1.15 | MAX AMB. | 40° C | WEIGHT 849 LBS. |
| DOWN THRUST | 5600 | | | ENCLOSURE TYPE | WP1 | |
| UPPER BEARING | 7224B | | | BOTTOM BEARING | 6314 | |
| OIL CAP. UPPER BEARING | 4 | QTS | LUBRICATION | MOBILE POLYREX EM | | |
| NON-REVERSE RATCHET - BALL TYPE | SERIAL NO. | | | | | |
| Specifically designed for use on deep well turbine pump applications. Hernando, Mississippi | | | | | | PART WIND START CAPABLE @ 230V |

APPLICATIONS:

Specifically designed for use on deep well turbine pump applications. The coupling is equipped with a non-reverse ratchet, which prevents motor rotation from backspin at shutdown. These motors are built to NEMA standards and have special bearing arrangements to carry heavy thrust loads.