

GENERAL INFORMATION:

SHAFT RUNOUT: .001 [.03] T.I.R. PER INCH LENGTH OF EXTENSION

END PLAY: .010 TO .063 [.25 TO 1.60]

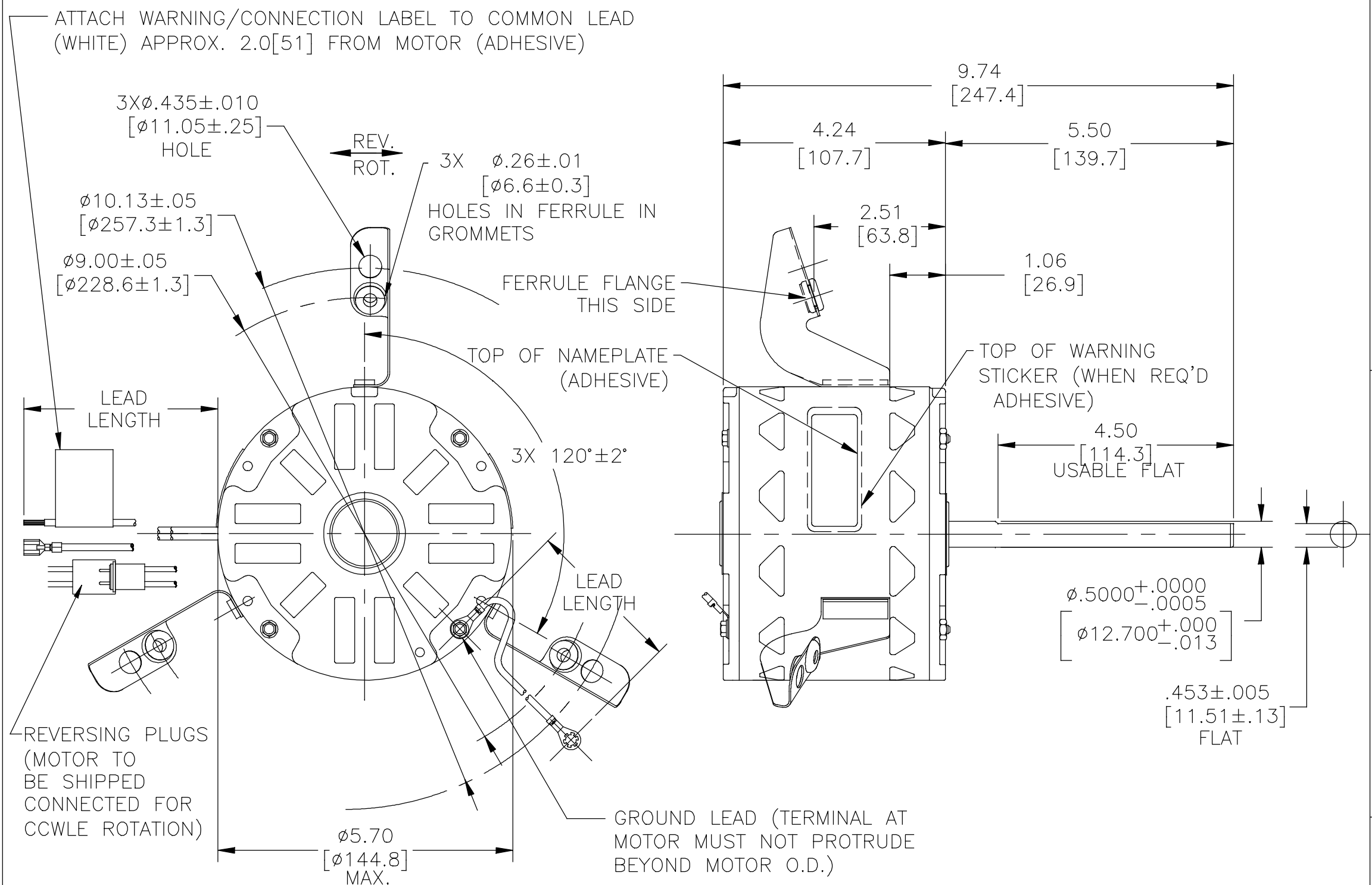
BEARINGS: SLEEVE

MOUNTING POSITION: HORIZONTAL

ELECTRICAL DATA:

OVERLOAD PROTECTOR: AUTOMATIC RESET (T.I. 7AM 036)

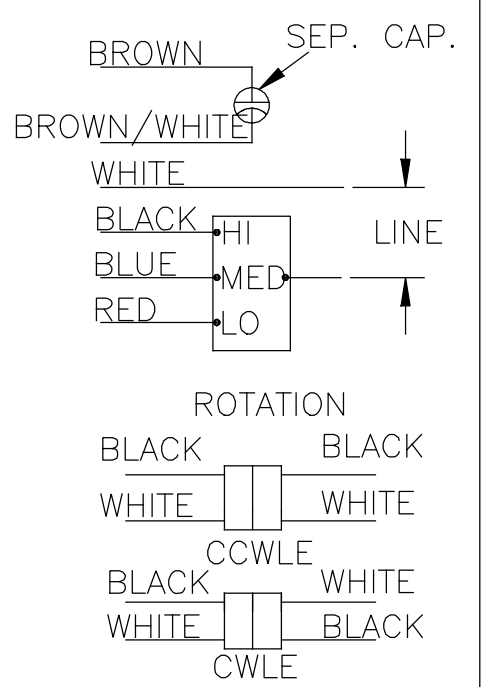
LEADS: NO. 18 GA., .06 [1.5] THK., 105°C. PVC INSUL.  
 REVERSING LEADS: NO. 18 GA., .03 [0.8] THK., 125°C. XLPE. INSUL.  
 GROUND LEAD: NO. 18 GA., .03 [.8] THK. GREEN/YELLOW INSUL.



NAMEPLATE DATA:

MODEL NO.: F48Y94A01  
 CUST. P/N: 9432A  
 HP: 1/4 1/6, 1/8  
 ROT.: REV.  
 RPM: 1075/3 SPD.  
 TYPE: UF  
 FRAME: 48Y  
 VOLTS: 277  
 PH: 1  
 AMPS: 1.2, 0.75, 0.55  
 HZ: 60  
 INS.: B  
 AMB.: 60° C  
 DUTY: AIR OVER  
 CAP.: 5 MFD/370 V  
 ENCL.: OPEN  
 UL LOGO  
 CSA LOGO  
 THERMALLY PROTECTED

EXTERNAL CONNECTION DIAGRAM



614131-351

GREEN/YELLOW (GRD)	11.0/13.0 [279/330]	#10 EYELET
BLACK/WHITE	3.0/5.0 [76/127]	REVERSING PLUG (MALE)
BLACK/WHITE	3.0/5.0 [76/127]	REVERSING PLUG (FEMALE)
BROWN	24.0/26.0 [610/660]	.25[6.4] FEMALE SPADE
BROWN/WHITE	24.0/26.0 [610/660]	.25[6.4] FEMALE SPADE
RED	24.0/26.0 [610/660]	.50[12.7] SKIN
BLUE	24.0/26.0 [610/660]	.50[12.7] SKIN
WHITE	24.0/26.0 [610/660]	.50[12.7] SKIN
BLACK	24.0/26.0 [610/660]	.50[12.7] SKIN
COLOR	LENGTH	TERMINAL OR STRIP LENGTH

REGAL-BELOIT CORPORATION (RBC) PROVIDES TECHNICAL ASSISTANCE TO OUR CUSTOMERS IN SEVERAL AREAS. SINCE RBC DOES NOT RECEIVE ALL DATA CONCERNING THE USE AND APPLICATION OF THE MOTOR, THE SUITABILITY OF THE MOTOR FOR THE APPLICATION MUST BE DETERMINED BY THE CUSTOMER.

DIMENSIONS WITHOUT TOLERANCES ARE FOR REFERENCE ONLY.

MAIN FRAME - OLE	OPEN
END FRAME - OLE	OPEN
MAIN FRAME - LE	OPEN
END FRAME - LE	OPEN

CUSTOMER	DISTRIBUTION SERVICE
----------	----------------------

PERFORMANCE CURVE NO.	TORQUE @ 1075 RPM (25°C)	APPROVED SAMPLE	UL COMPONENT FILE #	CCN #	CSA FILE #	CLASS #
C32683	22.1 OZ.FT	0603138B	E46412	PRGY2	LR43341	4211-01

DRAWING REVISION C	REVISION BY CADDIE.ZHOU	DATE 09-17-2018
ECO-0152805	APPROVED BY TRICIA.NIEDERHOLTMAYER	DATE 09-17-2018
ECO DESCRIPTION @ZONE C3 ADD LABEL ON LEAD		

COPYRIGHT REGAL-BELOIT AMERICA, INC. ALL RIGHTS RESERVED. PROPRIETARY AND CONFIDENTIAL INFORMATION - THIS DOCUMENT IS THE PROPERTY OF REGAL-BELOIT AMERICA, INC. (OWNER) AND CONTAINS OWNER'S PROPRIETARY INFORMATION. ANY PERSON, CORPORATION OR OTHER FIRM RECEIVING IT IS DEEMED, BY RECEIVING IT, TO AGREE THAT IT, AND/OR ANY PART OF IT, SHALL NOT BE DISCLOSED TO ANY PERSON, CORPORATION OR OTHER ENTITY, DUPLICATED, AND/OR USED, EXCEPT AS EXPRESSLY APPROVED IN WRITING IN ADVANCE BY OWNER. THIS DOCUMENT SHALL BE RETURNED TO OWNER UPON REQUEST. IT MAY BE SUBJECT TO CERTAIN RESTRICTIONS UNDER APPLICABLE EXPORT CONTROL LAWS AND REGULATIONS.

DRAWN BY: B.Z.	REGAL™ Regal Beloit America, Inc.
DATE: 04-19-2011	
APPROVED BY: C.Z.	DESCRIPTION: MODEL-RFHP-48FR OUTLINE
DATE: 04-19-2011	MATERIAL: -
PROCESS/FINISH: -	SIZE DWG NO: 9432A
THIRD ANGLE PROJECTION	SHEET 1