

GENERAL INFORMATION:

SHAFT RUNOUT: .001[.03] T.I.R. PER INCH LENGTH OF EXTENSION.

END PLAY: .010[.25] TO .063[1.60]

BEARINGS: SLEEVE

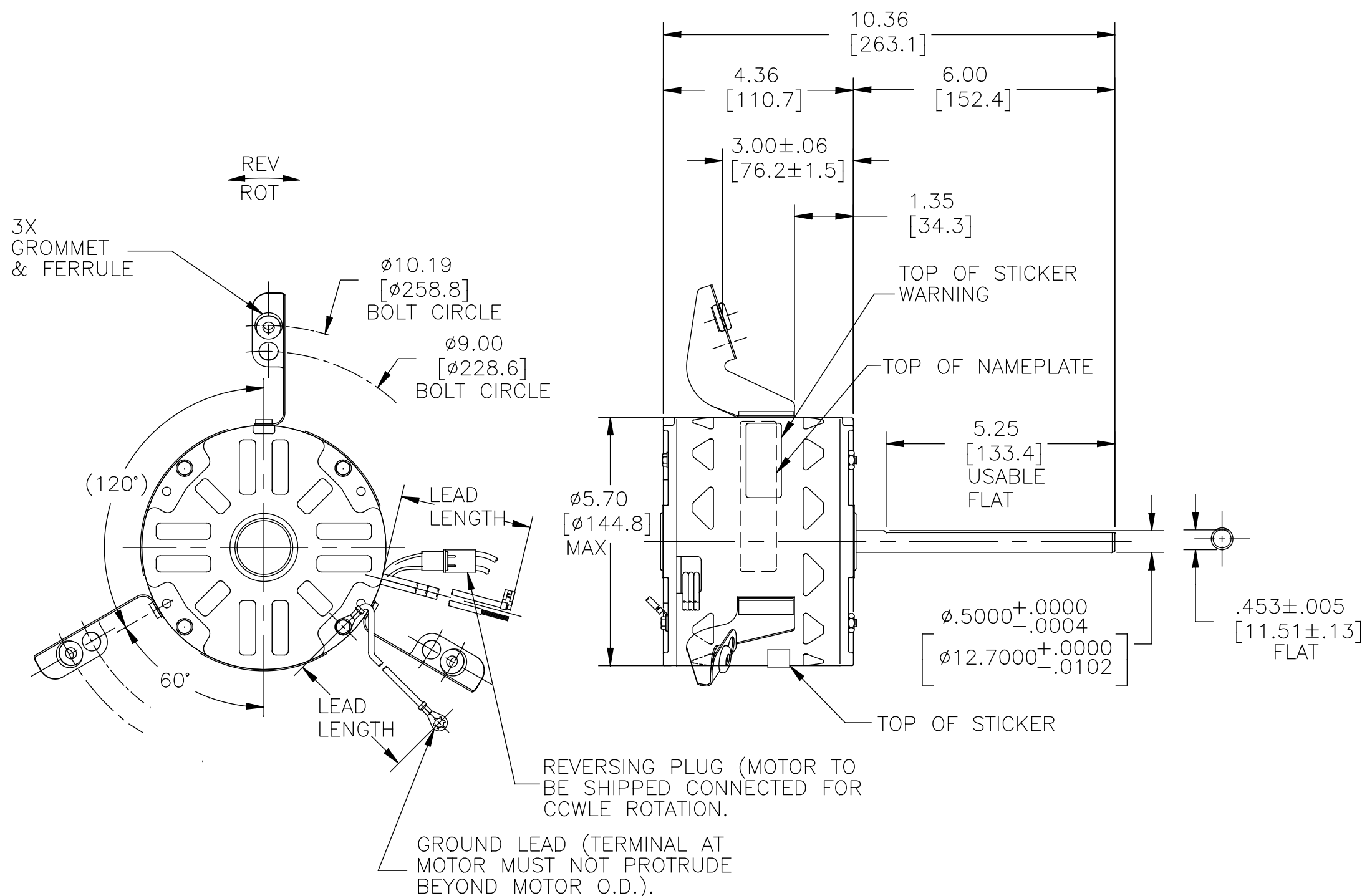
MOUNTING POSITION: HORIZONTAL

ELECTRICAL DATA:

OVERLOAD PROTECTOR: AUTOMATIC RESET (T.I. 7AM 036)

LEADS: NO. 18 GA., .03[.8] THK., 125°C INSUL.

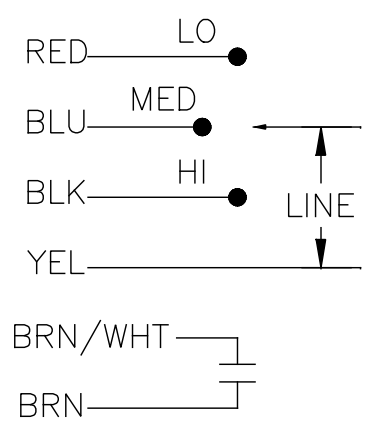
GROUND LEAD: NO. 18 GA., .03[.8] THK., (GREEN) INSUL.



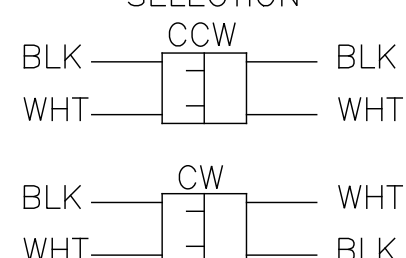
NAMEPLATE DATA:

MODEL NO.: F48N83A01
 CUST. P/N: FML1036
 HP: 1/3
 ROT.: REVERSIBLE
 RPM: 1075/3 SPD.
 TYPE: UF
 FRAME: 48Y
 VOLTS: 115
 PH: 1
 AMPS: 6.3
 HZ: 60
 INS.: B
 AMB.: 50° C
 DUTY: AIR OVER
 CAP.: 10 MFD/370V
 ENCL: OPEN
 UL LOGO
 CSA LOGO
 THERMALLY PROTECTED

EXTERNAL CONNECTION DIAGRAM



ROTATION SELECTION



LEAD DATA

COLOR	LENGTH	TERMINAL OR STRIP LENGTH
RED	26/28 [660/711]	.50 [12.7] SKIN
BLUE	26/28 [660/711]	.50 [12.7] SKIN
BLACK	26/28 [660/711]	.50 [12.7] SKIN
YELLOW	26/28 [660/711]	.50 [12.7] SKIN
BROWN	26/28 [660/711]	.25 [6.35] FLAG
BROWN/WHITE	26/28 [660/711]	.25 [6.35] FLAG
BLACK/WHITE	3/5 [76/127]	REVERSING PLUG
GREEN (GRD)	12/13 [304/330]	#10 EYELET

REGAL-BELOIT CORPORATION (RBC) PROVIDES TECHNICAL ASSISTANCE TO OUR CUSTOMERS IN SEVERAL AREAS. SINCE RBC DOES NOT RECEIVE ALL DATA CONCERNING THE USE AND APPLICATION OF THE MOTOR, THE SUITABILITY OF THE MOTOR FOR THE APPLICATION MUST BE DETERMINED BY THE CUSTOMER.

DIMENSIONS WITHOUT TOLERANCES ARE FOR REFERENCE ONLY.

ENCLOSURE

END FRAME - LE	OPEN
MAIN FRAME - LE	OPEN
END FRAME - OLE	OPEN
MAIN FRAME - OLE	OPEN

CUSTOMER DISTRIBUTION SERVICE

PERFORMANCE CURVE NO.	TORQUE @ 1075 RPM (25°C)	APPROVED SAMPLE	UL COMPONENT		CSA	
			FILE #	CCN #	FILE #	CLASS #
C31881	37.1 OZ. FT.	---	E46412	PRGY2	LR43341	4211-01

DRAWING REVISION B	REVISION BY J.ZHU	DATE 09-05-2016
ECO	APPROVED BY D.LI	DATE 09-05-2016
ECO-0107759		
ECO DESCRIPTION CHANGE DIA. OF SHAFT & ZONE A4		

COPYRIGHT REGAL-BELOIT AMERICA, INC. ALL RIGHTS RESERVED. PROPRIETARY AND CONFIDENTIAL INFORMATION - THIS DOCUMENT IS THE PROPERTY OF REGAL-BELOIT AMERICA, INC. (OWNER) AND CONTAINS OWNER'S PROPRIETARY INFORMATION. ANY PERSON, CORPORATION OR OTHER FIRM RECEIVING IT IS DEEMED, BY RECEIVING IT, TO AGREE THAT IT, AND/OR ANY PART OF IT, SHALL NOT BE DISCLOSED TO ANY PERSON, CORPORATION OR OTHER ENTITY, DUPLICATED, AND/OR USED, EXCEPT AS EXPRESSLY APPROVED IN WRITING IN ADVANCE BY OWNER. THIS DOCUMENT SHALL BE RETURNED TO OWNER UPON REQUEST. IT MAY BE SUBJECT TO CERTAIN RESTRICTIONS UNDER APPLICABLE EXPORT CONTROL LAWS AND REGULATIONS.

DRAWN BY: T. SHARP
DATE: 10-03-1995
APPROVED BY: D. CORBIN
DATE: 10-05-1995
PROCESS/FINISH

REGAL ™ Regal Beloit America, Inc.	
DESCRIPTION MODEL-RFHP-48FR OUTLINE	
MATERIAL	
THIRD ANGLE PROJECTION	SIZE DWG NO C FML1036
	SHEET 1