

PC182T-3-4

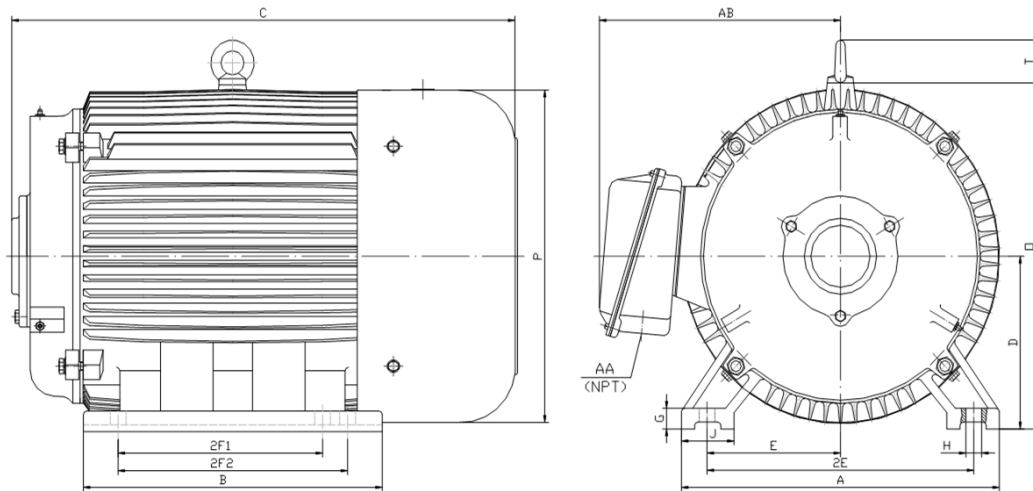
CONVERTER

DESIGNED FOR USE WITH ROTARY PHASE CONVERTER UNITS

TOTALLY ENCLOSED FAN COOLED

SPIKE RESISTANT WIRE (2200V PEAK VOLTAGE SPIKE RATING)

Factory Certified for T2B Class I, Division II, Groups A,B,C & D and Class II, Division II, Groups F & G



DIMENSIONS

HP	RPM	Frame	MOUNTING														
			A	B	C	D	G	H	J	E	2E	2F1	2F2	O	P	T	BA
3	1800	182	9.50	7.30	12.35	4.50	0.60	0.41	2.00	3.75	7.50	4.50	N/A	9.10	8.70	1.60	2.75

Conduit Box		Bearings		Mount
AA	AB	DE	ODE	
0.75	7.50	6306-ZZ/C3	6306-ZZ/C3	F1

BEARING LUBRICATION: The bearings come lubricated with Mobile Polyrex EM Polyurea Grease.





PC182T-3-4

CONVERTER

DESIGNED FOR USE WITH ROTARY PHASE CONVERTER UNITS

TOTALLY ENCLOSED FAN COOLED

SPIKE RESISTANT WIRE (2200V PEAK VOLTAGE SPIKE RATING)

Factory Certified for T2B Class I, Division II, Groups A,B,C & D and Class II, Division II, Groups F & G

PERFORMANCE DATA

HP	RPM	Frame	Voltage	Frequency (Hz)	Full Load S.F.	Insulation Class	NEMA Design	Slip (%)	NEMA Code	Enclosure Type	IP Rating	Max. Ambient
3	1750	182	208-230/460	60	1.15	F	B	2.8	K	TEFC	55	40° C

Amps (460V)		Efficiency (%)		Power Factor	Torque (ft-lb)			DE Bearing	ODE Bearing	Connection	Weight (lbs.)
FLA	LRA	NOM.	MIN.	0.76	FT-LB.	LRT %	BDT %	6306-ZZ/C3	6306-ZZ/C3	9 Lead 2Y/Y	80
4.4	32.0	89.5	87.5		8.8	270	350				

NAME PLATE

						CONVERTER TOTALLY ENCLOSED FAN COOLED SPIKE RESISTANT WIRE RATED FOR 2200V PEAK VOLTAGE SPIKES			CONNECTION DIAGRAMS		
CAT NO:	PC182T-3-4	FRAME	182	HZ	60	PHASE	3				
HP	3	RPM	1750	IP RATING	55	ENCL	TEFC				
VOLTS	208-230/460	AMPS	9.7-8.8/4.4	S.F.	1.15	INS	F				
FLA	4.40	LRA	32.0	CODE	K	DESIGN	B				
NOM EFF.	89.50	P.F.	0.76	DE BEARING	6306-ZZ/C3						
MIN EFF.	87.50	SLIP	2.8%	ODE BEARING	6306-ZZ/C3						
MOTOR WEIGHT	80 LBS	CONNECTION	9 Lead 2Y/Y	SER							
Specifically designed for use with rotary phase converters.											
Hernando, MS 38632						www.naemotors.com					

APPLICATIONS:

Specifically designed for use as the converter component for rotary phase converters.