

**PE143TC-1-4-RB**

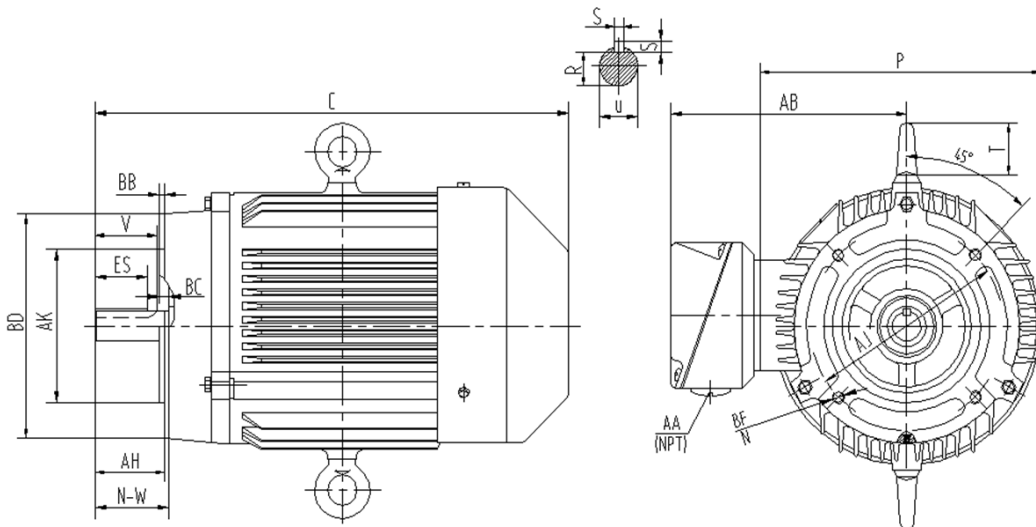
**GENERAL PURPOSE ELECTRIC MOTOR**

**NEMA PREMIUM EFFICIENCY**

**THREE PHASE, TOTALLY ENCLOSED FAN COOLED - C-FLANGE FOOTLESS**

**INVERTER DUTY 10:1 CT; 20:1 VT - NEMA MG1 PART 31**

Factory Certified for T2B Class I, Division II, Groups A,B,C & D and Class II, Division II, Groups F & G



**DIMENSIONS**

HP	RPM	Frame	Mounting									
			C	P	T	AK	AJ	AH	BA	BB	BC	BF
1	1800	143TC	15.20	8.17	1.50	4.500	5.88	2.12	2.25	0.16	0.12	4*3/8-16

Shaft Extension, Key Set					Conduit Box		Bearings		Mount
U	R	S	ES	N-W	AA	AB	DE	ODE	
0.875	0.771	0.189	1.42	2.25	0.75	7.60	6206-ZZ	6206-ZZ	F1

**BEARING LUBRICATION:** The bearings come lubricated with Mobile Polyrex EM Polyurea Grease.





**PE143TC-1-4-RB**

**GENERAL PURPOSE ELECTRIC MOTOR**

**NEMA PREMIUM EFFICIENCY**

**THREE PHASE, TOTALLY ENCLOSED FAN COOLED - C-FLANGE FOOTLESS**

**INVERTER DUTY 10:1 CT; 20:1 VT - NEMA MG1 PART 31**

Factory Certified for T2B Class I, Division II, Groups A,B,C & D and Class II, Division II, Groups F & G

**PERFORMANCE DATA**

HP	RPM	Frame	Voltage	Frequency (Hz)	Full Load S.F.	Insulation Class	NEMA Design	Slip (%)	NEMA Code	Enclosure Type	IP Rating	Max. Ambient
1	1740	143TC	208-230/460	60	1.15	F	B	3.3	M	TEFC	55	40° C

Amps (460V)			Efficiency (%)				Power Factor			Torque (ft-lb)			DE Bearing	ODE Bearing	Connection	Weight (lbs.)
FLA	LRA		100%	75%	50%	Min.	100%	75%	50%	FLT	LRT %	BDT %				
1.5	15.0		85.5	85.0	83.6	82.5	0.760	0.710	0.580	3.0	300	310	6206-ZZ	6206-ZZ	9 Lead 2Y/Y	65

**NAME PLATE**

<p>INVERTER DUTY 20:1 VT; 10:1 CT</p>										CONNECTION DIAGRAMS		
CAT NO: PE143TC-1-4-RB			FRAME 143TC				PHASE 3			<p>208 - 230V</p>		
HZ 60	S.F. 1.15	HZ 50	S.F. 1.0	ENCL TEFC	IP 55							
HP 1	RPM 1740	HP 1	RPM 1430	DUTY CONT	DES B							
VOLTS 208-230/460			VOLTS 190/380			AMB 40° C		INS F		<p>460V</p>		
FLA 3.3 - 3 / 1.5	FLA 3.4/1.7			DE BEARING 6206-ZZ								
CODE M	P.F. 0.76	CODE H	P.F. 0.76	ODE BEARING 6206-ZZ								
EFF 85.5	MIN 82.5	EFF 82.5	MIN 80.0	LUB: Mobile Polyrex EM								
MOTOR WEIGHT 65 LBS		CONNECTION 9 Lead 2Y/Y			SER NO							
<p>General purpose use on industrial machinery installed in damp, dusty or dirty environments.</p> <p>Hernando, Mississippi</p> <p>CC113B</p>												

**APPLICATIONS:**

General purpose use on pumps, fans, blowers, compressors, conveyors, material handling and other industrial machinery installed in damp, dusty or dirty environments.