

PE184T-5-4

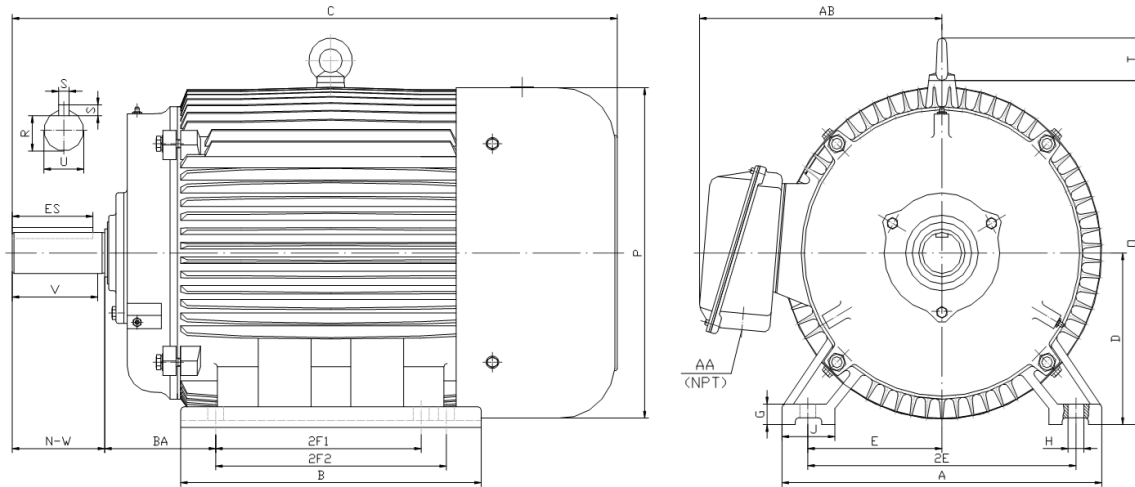
GENERAL PURPOSE ELECTRIC MOTOR

NEMA PREMIUM EFFICIENCY

TOTALLY ENCLOSED FAN COOLED

INVERTER DUTY 10:1 CT; 20:1 VT - NEMA MG1 PART 31

Factory Certified for T2B Class I, Division II, Groups A,B,C & D and Class II, Division II, Groups F & G



DIMENSIONS

HP	RPM	Frame	MOUNTING														
			A	B	C	D	G	H	J	E	2E	2F1	2F2	O	P	T	BA
5	1800	184T	9.50	8.30	17.10	4.50	0.60	0.41	2.00	3.75	7.50	4.50	5.50	9.10	8.70	1.60	2.75

Shaft Extension, Key Set						Conduit Box		Bearings		Mount
U	V	R	S	ES	N-W	AA	AB	DE	ODE	
1.125	2.50	0.986	0.250	1.78	2.75	0.75	7.50	6306-ZZ	6306-ZZ	F1

BEARING LUBRICATION: The bearings come lubricated with Mobil Polyrex EM Polyurea Grease.





PE184T-5-4

GENERAL PURPOSE ELECTRIC MOTOR

NEMA PREMIUM EFFICIENCY

TOTALLY ENCLOSED FAN COOLED

INVERTER DUTY 10:1 CT; 20:1 VT - NEMA MG1 PART 31

Factory Certified for T2B Class I, Division II, Groups A,B,C & D and Class II, Division II, Groups F & G

PERFORMANCE DATA

HP	RPM	Frame	Voltage	Frequency (Hz)	Full Load S.F.	Insulation Class	NEMA Design	Slip (%)	NEMA Code	Enclosure Type	IP Rating	Max. Ambient
5	1755	184T	208-230/460	60	1.15	F	B	2.5	J	TEFC	55	40° C

Amps (460V)		Efficiency (%)				Power Factor			Torque (ft-lb)			DE Bearing	ODE Bearing	Connection	Weight (lbs.)
FLA	LRA	100%	75%	50%	Min.	100%	75%	50%	FLT	LRT %	BDT %				
6.8	46	89.5	89.8	89.0	87.5	0.780	0.740	0.620	15.0	185	280	6306-ZZ	6306-ZZ	9 Lead 2Y/Y	101

NAME PLATE

										INVERTER DUTY 20:1 VT; 10:1 CT			CONNECTION DIAGRAMS			
CAT NO:		PE184T-5-4				FRAME		184T		PHASE		3		208-230V 		
HZ	60	S.F.	1.15	HZ	50	S.F.	1.0	ENCL	TEFC	IP	55					
HP	5	RPM	1755	HP	5	RPM	1440	DUTY	CONT	DES	B	460V 				
VOLTS	208-230/460			VOLTS	190/380			AMB	40° C	INS	F					
FLA	14 - 13.6 / 6.8			FLA	15.4/7.7			DE BEARING		6306-ZZ						
CODE	J	P.F.	0.78	CODE	H	P.F.	0.84	ODE BEARING		6306-ZZ						
EFF	89.5	MIN	87.5	EFF	87.5	MIN	85.5	LUB:		Mobil Polyrex EM						
MOTOR WEIGHT	101	LBS		CONNECTION		9 Lead 2Y/Y		SER NO								
General purpose use on industrial machinery installed in damp, dusty or dirty environments. Hernando, Mississippi												CC 082A				

APPLICATIONS:

General purpose use on pumps, fans, blowers, compressors, conveyors, material handling and other industrial machinery installed in damp, dusty or dirty environments.