

PE256JM-20-2

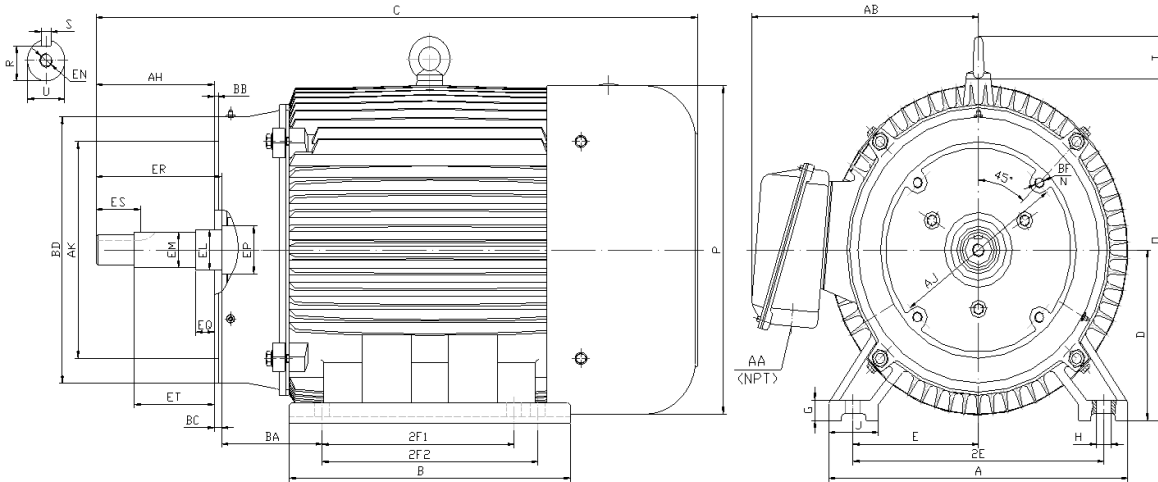
CLOSE COUPLED PUMP MOTORS

NEMA PREMIUM EFFICIENCY

THREE PHASE, TOTALLY ENCLOSED FAN COOLED, JM FRAME

INVERTER DUTY 10:1 CT; 20:1 VT - NEMA MG1 PART 31

Factory Certified for T2B Class I, Division II, Groups A,B,C & D and Class II, Division II, Groups F & G



DIMENSIONS

HP	RPM	Frame	MOUNTING														
			A	B	C	D	G	H	J	E	2E	2F1	2F2	O	P	T	BA
20	3600	256JM	13.00	12.20	26.50	6.25	0.70	0.53	2.75	5.00	10.00	8.25	10.00	13.00	12.40	2.20	4.75

FLANGE							Shaft Extension, Key Set										
AK	AJ	AH	BB	BC	BD	N*BF	U	R	S	EQ	ER	ES	ET	EP	EL	EM	EN
8.500 8.497	7.25	5.281 5.219	0.312 0.250	0.25	10.0	4*1/2-13	1.2495 1.2490	1.112 1.097	0.252 0.250	0.640 0.610	5.25	2.53	3.015 2.985	1.77	1.750 1.748	1.3750 1.3745	1/2-13

Conduit Box		Bearings		Mount
AA	AB	DE	ODE	
1.25	10.10	6309	6309	

BEARING LUBRICATION: The bearings come lubricated with Mobil Polyrex EM Polyurea Grease.





PE256JM-20-2

CLOSE COUPLED PUMP MOTORS

NEMA PREMIUM EFFICIENCY

THREE PHASE, TOTALLY ENCLOSED FAN COOLED, JM FRAME

INVERTER DUTY 10:1 CT; 20:1 VT - NEMA MG1 PART 31

Factory Certified for T2B Class I, Division II, Groups A,B,C & D and Class II, Division II, Groups F & G

PERFORMANCE DATA

HP	RPM	Frame	Voltage	Frequency (Hz)	Full Load S.F.	Insulation Class	NEMA Design	Slip (%)	NEMA Code	Enclosure Type	IP Rating	Max. Ambient
20	3540	256JM	208-230/460	60	1.15	F	B	1.7	G	TEFC	55	40° C

Amps (460V)		Efficiency (%)				Power Factor			Torque (ft-lb)			DE Bearing	ODE Bearing	Connection	Weight (lbs.)
FLA	LRA	100%	75%	50%	Min.	100%	75%	50%	FLT	LRT %	BDT %	6309	6309	12 Lead 2Δ/Δ	288
23.0	145.0	91.0	91.0	90.0	89.5	0.870	0.850	0.790	29.8	150	250				

NAME PLATE

													CONNECTION DIAGRAMS 208-230V 		
INVERTER DUTY 20:1 VT; 10:1 CT										CLOSE COUPLED PUMP MOTOR					
CAT NO: PE256JM-20-2			FRAME 256JM			PHASE 3									
HZ 60	S.F. 1.15	HZ 50	S.F. 1.0	ENCL TEFC	IP 55										
HP 20	RPM 3540	HP 20	RPM 2920	DUTY CONT	DES B										
VOLTS 208-230/460		VOLTS 190/380		AMB 40° C		INS F									
FLA 48.5 - 46 / 23	FLA 57/28.5		DE BEARING 6309												
CODE G	P.F. 0.87	CODE E	P.F. 0.89	ODE BEARING 6309											
EFF 91.0	MIN 89.5	EFF 89	MIN 87.5	LUB: Mobil Polyrex EM											
MOTOR WEIGHT 288 LBS		CONNECTION 12 Lead 2Δ/Δ		SER NO											
Specifically designed for use on industrial and commercial pumping units. Hernando, Mississippi										CC 082A			460V 		

APPLICATIONS:

Specifically designed for use on industrial and commercial pumping units.