

**PE364JP-60-2**

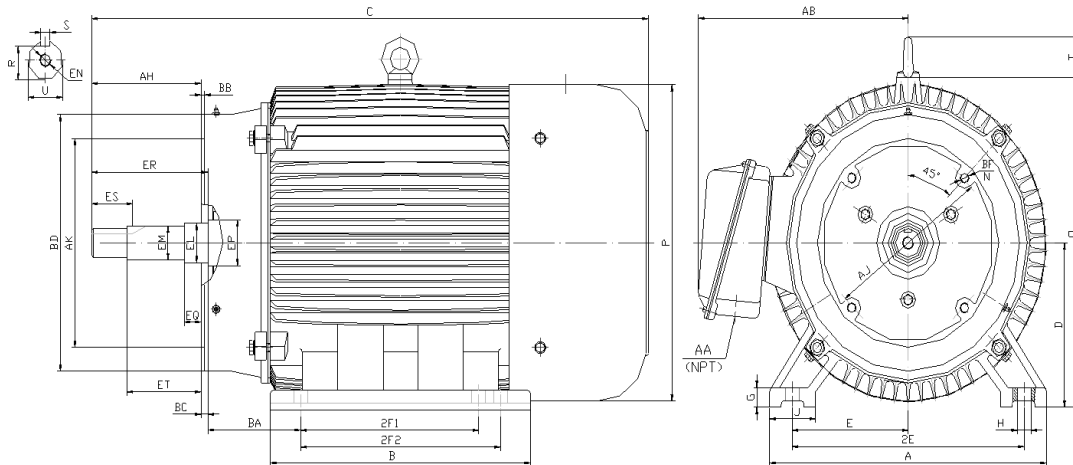
**CLOSE COUPLED PUMP MOTORS**

**NEMA PREMIUM EFFICIENCY**

**THREE PHASE, TOTALLY ENCLOSED FAN COOLED, JP FRAME**

**INVERTER DUTY 10:1 CT; 20:1 VT - NEMA MG1 PART 31**

Factory Certified for T2B Class I, Division II, Groups A,B,C & D and Class II, Division II, Groups F & G



**DIMENSIONS**

HP	RPM	Frame	MOUNTING														
			A	B	C	D	G	H	J	E	2E	2F1	2F2	O	P	T	BA
60	3600	364JP	17.10	15.40	36.00	9.00	1.15	0.66	2.95	7.00	14.00	11.25	12.25	18.10	17.60	2.60	5.88

FLANGE								Shaft Extension, Key Set									
AK	AJ	AH	BB	BC	BD	N*BF	U	R	S	EQ	ER	ES	ET	EP	EL	EM	EN
12.500	11.00	8.156	0.312	0.25	14.0	8*5/8-11	1.6245	1.415	0.377	2.395	8.13	2.53	5.895	2.56	2.125	1.7500	1/2-13
12.495		8.094	0.250				1.6240	1.401	0.375	2.355			5.855		2.123	1.7495	

Conduit Box		Bearings		Mount
AA	AB	DE	ODE	
3.00	14.60	6313	6313	F1

**BEARING LUBRICATION:** The bearings come lubricated with Mobil Polyrex EM Polyurea Grease.





**PE364JP-60-2**

**CLOSE COUPLED PUMP MOTORS**

**NEMA PREMIUM EFFICIENCY**

**THREE PHASE, TOTALLY ENCLOSED FAN COOLED, JP FRAME**

**INVERTER DUTY 10:1 CT; 20:1 VT - NEMA MG1 PART 31**

Factory Certified for T2B Class I, Division II, Groups A,B,C & D and Class II, Division II, Groups F & G

**PERFORMANCE DATA**

HP	RPM	Frame	Voltage	Frequency (Hz)	Full Load S.F.	Insulation Class	NEMA Design	Slip (%)	NEMA Code	Enclosure Type	IP Rating	Max. Ambient
60	3565	364JP	208-230/460	60	1.15	F	B	1.0	G	TEFC	55	40° C

Amps (460V)		Efficiency (%)				Power Factor			Torque (ft-lb)			DE Bearing	ODE Bearing	Connection	Weight (lbs.)
FLA	LRA	100%	75%	50%	Min.	100%	75%	50%	FLT	LRT %	BDT %				
66.0	435.0	93.6	92.4	92.4	93.0	0.920	0.900	0.850	88.6	140	255	6313	6313	12 Lead 2Δ/Δ	818

**NAME PLATE**

				<b>INVERTER DUTY 20:1 VT; 10:1 CT</b>		<b>CLOSE COUPLED PUMP MOTOR</b>		<b>CONNECTION DIAGRAMS</b>		
<b>CAT NO:</b> PE364JP-60-2		<b>FRAME:</b> 364JP		<b>PHASE:</b> 3		<b>208-230V</b>				
<b>HZ:</b> 60	<b>S.F.:</b> 1.15	<b>HZ:</b> 50	<b>S.F.:</b> 1.0	<b>ENCL:</b> TEFC	<b>IP:</b> 55					
<b>HP:</b> 60	<b>RPM:</b> 3565	<b>HP:</b> 60	<b>RPM:</b> 2960	<b>DUTY:</b> CONT	<b>DES:</b> B					
<b>VOLTS:</b> 208-230/460		<b>VOLTS:</b> 190/380		<b>AMB:</b> 40° C	<b>INS:</b> F					
<b>FLA:</b> 146 - 132 / 66	<b>FLA:</b> 160/80		<b>DE BEARING:</b> 6313							
<b>CODE:</b> G	<b>P.F.:</b> 0.92	<b>CODE:</b> F	<b>P.F.:</b> 0.93	<b>ODE BEARING:</b> 6313						
<b>EFF:</b> 93.6	<b>MIN:</b> 93.0	<b>EFF:</b> 92	<b>MIN:</b> 90.8	<b>LUB:</b> Mobil Polyrex EM				<b>460V</b>		
<b>MOTOR WEIGHT:</b> 818 LBS		<b>CONNECTION:</b> 12 Lead 2Δ/Δ		<b>SER NO</b>						
Specifically designed for use on industrial and commercial pumping units. Hernando, Mississippi								<b>CC 082A</b>		

**APPLICATIONS:**

Specifically designed for use on industrial and commercial pumping units.