

**PE445T-150-4**

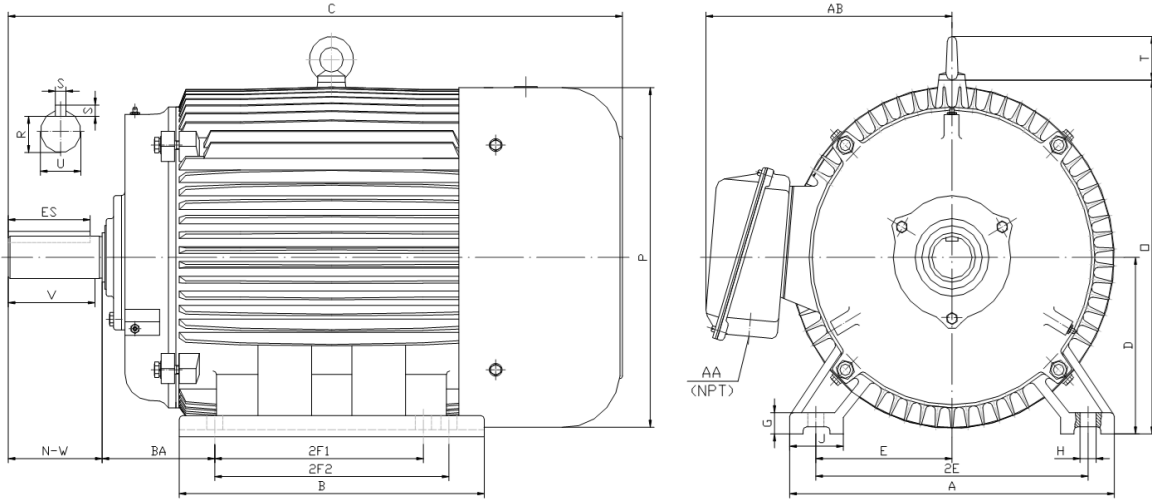
**GENERAL PURPOSE ELECTRIC MOTOR**

**NEMA PREMIUM EFFICIENCY**

**TOTALLY ENCLOSED FAN COOLED**

**INVERTER DUTY 10:1 CT; 20:1 VT - NEMA MG1 PART 31**

Factory Certified for T2B Class I, Division II, Groups A,B,C & D and Class II, Division II, Groups F & G



**DIMENSIONS**

HP	RPM	Frame	MOUNTING														
			A	B	C	D	G	H	J	E	2E	2F1	2F2	O	P	T	BA
150	1800	445T	21.70	22.90	44.30	11.00	1.35	0.81	3.35	9.00	18.00	14.50	16.50	23.00	23.40	3.00	7.50

Shaft Extension, Key Set						Conduit Box		Bearings		Mount
U	V	R	S	ES	N-W	AA	AB	DE	ODE	
3.375	8.25	2.880	0.875	6.91	8.50	3.00	19.90	NU319	6318	

**BEARING LUBRICATION:** The bearings come lubricated with Mobil Polyrex EM Polyurea Grease. It is recommended that you add some additional lubrication when the motor is installed.

Three options (brands) for suitable lubrication include, but are not limited to, the following:

- 1.) Mobil Polyrex EM
- 2.) Citco Polyurea MP
- 3.) Conoco Phillips Polytac EP





## PE445T-150-4

**GENERAL PURPOSE ELECTRIC MOTOR**

**NEMA PREMIUM EFFICIENCY**

**TOTALLY ENCLOSED FAN COOLED**

**INVERTER DUTY 10:1 CT; 20:1 VT - NEMA MG1 PART 31**

Factory Certified for T2B Class I, Division II, Groups A,B,C & D and Class II, Division II, Groups F & G

### PERFORMANCE DATA

HP	RPM	Frame	Voltage	Frequency (Hz)	Full Load S.F.	Insulation Class	NEMA Design	Slip (%)	NEMA Code	Enclosure Type	IP Rating	Max. Ambient
150	1790	445T	460	60	1.15	F	B	0.6	G	TEFC	55	40° C

Amps (460V)		Efficiency (%)				Power Factor			Torque (ft-lb)			DE Bearing	ODE Bearing	Connection	Weight (lbs.)
FLA	LRA	100%	75%	50%	Min.	100%	75%	50%	FLT	LRT %	BDT %				
171.0	1085	95.8	95.8	95.0	95.0	0.870	0.860	0.800	442.7	150	250	NU319	6318	6 Lead Δ	1683

### NAME PLATE

<b>North American Electric, Inc.</b>													<b>CONNECTION DIAGRAMS (460V)</b>								
<b>INVERTER DUTY 20:1 VT; 10:1 CT</b>										<b>Across The Line</b>											
CAT NO: PE445T-150-4			FRAME 445T			PHASE 3															
HZ 60		S.F. 1.15		HZ 50		S.F. 1.0		ENCL TEFC		IP 55											
HP 150		RPM 1790		HP 150		RPM 1488		DUTY CONT		DES B											
VOLTS 460			VOLTS 380			AMB 40° C		INS F					<b>PWS Start</b>								
FLA 171.0			FLA 203			DE BEARING NU319															
CODE G		P.F. 0.87		CODE F		P.F. 0.88		ODE BEARING 6318													
EFF 95.8		MIN 95.0		EFF 93.5		MIN 92.7		LUB: Mobil Polyrex EM													
MOTOR WEIGHT 1683.0 LBS			CONNECTION 6 Lead Δ			SER NO						<b>PWS Run</b>									
General purpose use on industrial machinery installed in damp, dusty or dirty environments. Hernando, Mississippi																			CC 082A		

### APPLICATIONS:

General purpose use on pumps, fans, blowers, compressors, conveyors, material handling and other industrial machinery installed in damp, dusty or dirty environments.