

**PE587UZ-350-6C**

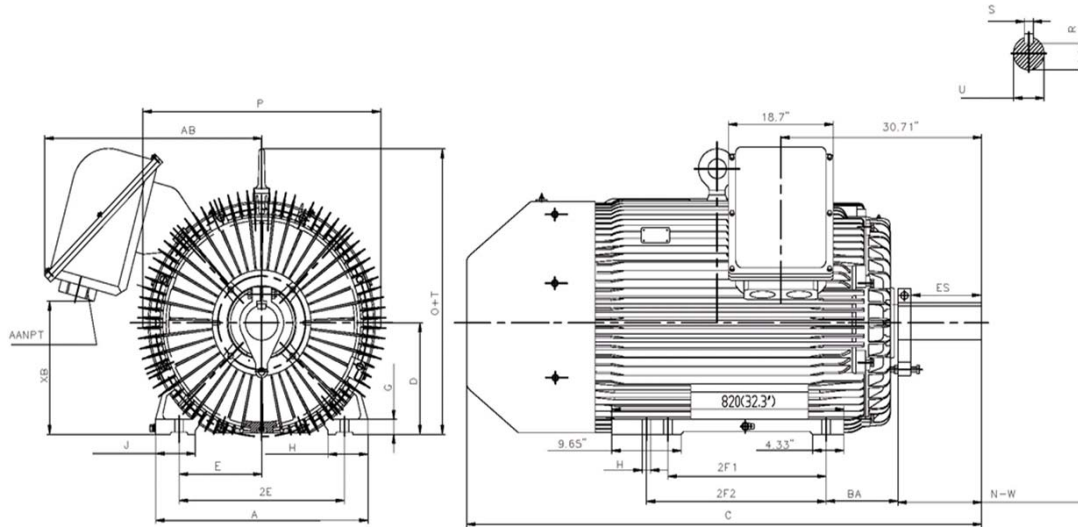
**CRUSHER DUTY MOTOR**

**HIGH TORQUE / PREMIUM EFFICIENCY DESIGN**

**TOTALLY ENCLOSED FAN COOLED**

**HEAVY DUTY CAST IRON CONSTRUCTION**

Factory Certified for T2B Class I, Division II, Groups A,B,C & D and Class II, Division II, Groups F & G



**DIMENSIONS**

HP	RPM	Frame	MOUNTING														
			A	B	C	D	G	H	J	E	2E	2F1	2F2	O	P	T	BA
350	1200	587UZ	29.53	32.38	71.65	14.50	1.97	1.13	5.51	11.50	23.00	22.00	25.00	41.36	33.07	5.88	10.00

Shaft Extension, Key Set				Conduit Box		Bearings		Mount		
U	V	R	S	ES	N-W	AA	AB		DE	ODE
4.375	11.25	3.817	1.00	10.00	11.63	2 X 3"	28.15	NU324	6319	F1

**BEARING LUBRICATION:** The bearings come lubricated with Mobil Polyrex EM Polyurea Grease. It is recommended that you add some additional lubrication when the motor is installed.

Three options (brands) for suitable lubrication include, but are not limited to, the following:

- 1.) Mobil Polyrex EM
- 2.) Citco Polyurea MP
- 3.) Conoco Phillips Polytac EP





## PE587UZ-350-6C

**CRUSHER DUTY MOTOR**  
**HIGH TORQUE / PREMIUM EFFICIENCY DESIGN**  
**TOTALLY ENCLOSED FAN COOLED**  
**HEAVY DUTY CAST IRON CONSTRUCTION**

Factory Certified for T2B Class I, Division II, Groups A,B,C & D and Class II, Division II, Groups F & G

### PERFORMANCE DATA

HP	RPM	Frame	Voltage	Frequency (Hz)	Full Load S.F.	Insulation Class	NEMA Design	Slip (%)	NEMA Code	Enclosure Type	IP Rating	Max. Ambient
350	1189	587UZ	460	60	1.15	F	C	0.9	G	TEFC	55	40° C

Amps (460V)		Efficiency (%)				Power Factor			Torque (ft-lb)			DE Bearing	ODE Bearing	Connection	Weight (lbs.)
FLA	LRA	100%	75%	50%	Min.	100%	75%	50%	FLT	LRT %	BDT %	NU324	6319	12 Lead Δ	5176
390.4	2550	95.8	95.3	94.8	95.0	0.852	0.825	0.760	2088	200	230				

### NAME PLATE

						<b>CONNECTION DIAGRAMS</b> <b>Across The Line</b> 																		
CAT NO:		PE587UZ-350-6C		FRAME					587UZ		PHASE		3											
DE BRG		NU324		ODE BRG		6319		CONN.				12 Lead Δ												
MAX AMB.		40° C		INS. CLASS		F		RATING		CONT		WEIGHT			5176									
LUBRICATION				Mobil Polyrex EM				SER																
60 HERTZ DATA	HP		350		RPM		1189		HP		350		RPM		990									
	VOLTS				460				VOLTS				380											
	F.L. AMPS				390.4				F.L. AMPS				472.6											
	S.F. AMPS				449.0				S.F. AMPS				472.6											
	S.F.		1.15		DESIGN		C		CODE		G		S.F.		1.0		DESIGN		C		CODE		H	
	NEMA NOM.EFF.		95.8 %		NOM. P.F.		0.852		NEMA NOM.EFF.		95.0 %		NOM. P.F.		0.852									
NEMA MIN.EFF.		95.0 %		MAX. KVAR		58.0		NEMA MIN.EFF.		94.3 %		MAX. KVAR		60.3										
Designed specifically for use on crushing and pulverizing equipment and other equipment requiring extremely high starting torques and breakdown torques. CC041B Hernando, MS 38632						<b>50 HERTZ DATA</b> <b>PWS Start</b>  <b>PWS Run</b> 																		

### APPLICATIONS:

Special purpose use on crushing and pulverizing equipment and other industrial equipment requiring extremely high starting torques and breakdown torques.