

**PESS182TC1.5M-6**

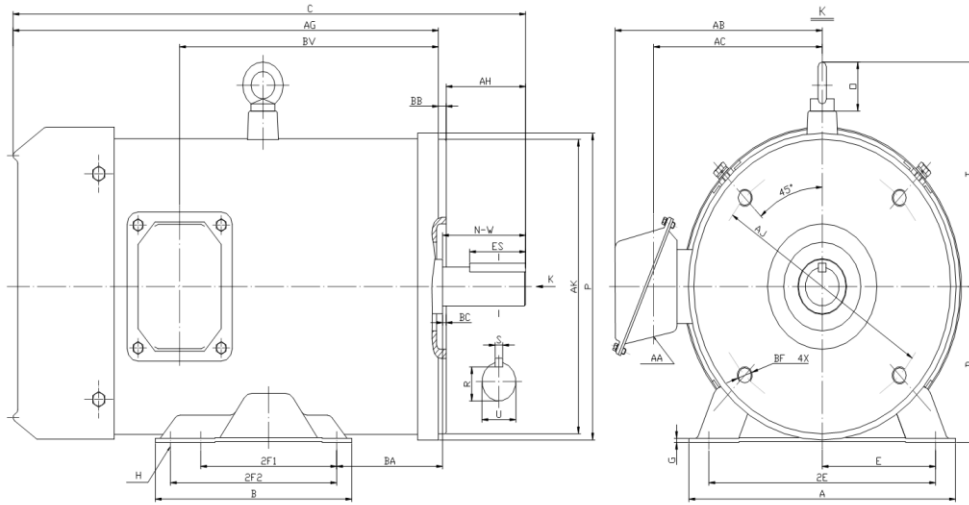
WASHDOWN DUTY MOTOR

NEMA PREMIUM EFFICIENCY

STAINLESS STEEL CONSTRUCTION - C-FLANGE WITH FEET

TOTALLY ENCLOSED FAN COOLED - IP66 CONSTRUCTION

INVERTER DUTY 10:1 CT; 20:1 VT - NEMA MG1 PART 31



**DIMENSIONS**

HP	RPM	Frame	Mounting													
			A	B	C	D	G	H	E	2E	2F1	2F2	P	AK	AJ	AH
1.5	1200	182TC	8.80	6.50	17.00	4.50	0.12	0.71*0.47	3.75	7.50	4.50	5.50	8.85	8.500	7.250	2.62

Mounting					Shaft Extension, Key Set					Conduit Box				Bearings		Mount
AG	BA	BB	BC	BF	U	R	S	ES	N-W	AA	AB	AC	BV	DE	ODE	
14.13	3.50	0.25	0.12	4*1/2-13	1.125	0.986	0.250	1.78	2.75	0.94	7.00	5.30	8.60	6308-2RS	6306-2RS	F1

**BEARING LUBRICATION:** The bearings come lubricated with Mobil Polyrex EM Polyurea Grease.



**PESS182TC1.5M-6**

**WASHDOWN DUTY MOTOR**  
**NEMA PREMIUM EFFICIENCY**  
**STAINLESS STEEL CONSTRUCTION - C-FLANGE WITH FEET**  
**TOTALLY ENCLOSED FAN COOLED - IP66 CONSTRUCTION**  
**INVERTER DUTY 10:1 CT; 20:1 VT - NEMA MG1 PART 31**

**PERFORMANCE DATA**

HP	RPM	Frame	Voltage	Frequency (Hz)	Full Load S.F.	Insulation Class	NEMA Design	Slip (%)	NEMA Code	Enclosure Type	IP Rating	Max. Ambient
1.5	1170	182TC	208-230/460	60	1.15	F	B	2.5	L	TEFC	66	40° C

Amps (460V)		Efficiency (%)				Power Factor			Torque (ft-lb)			DE Bearing	ODE Bearing	Connection	Weight (lbs.)
FLA	LRA	100%	75%	50%	Min.	100%	75%	50%	FLT	LRT %	BDT %				
2.5	20.0	85.5	80.0	76.0	83.0	0.70	0.65	0.58	6.6	255	270	6308-2RS	6306-2RS	9 Lead 2Y/Y	79

**NAME PLATE**

				<b>WASHDOWN DUTY STAINLESS STEEL MOTORS</b>		<b>CONNECTION DIAGRAMS</b>	
<b>INVERTER DUTY 20:1 VT; 10:1 CT</b>							
<b>CAT NO: PESS182TC1.5M-6</b>		<b>FRAME 182TC</b>		<b>PHASE 3</b>		<b>208-230V</b>	
<b>HZ 60</b>	<b>S.F. 1.15</b>	<b>HZ 50</b>	<b>S.F. 1.2</b>	<b>ENCL TEFC</b>	<b>IP 66</b>		
<b>HP 1.5</b>	<b>RPM 1170</b>	<b>HP 1</b>	<b>RPM 970</b>	<b>DUTY CONT</b>	<b>DES B</b>		
<b>VOLTS 208-230/460</b>		<b>VOLTS 190/380</b>		<b>AMB 40° C</b>	<b>INS F</b>		
<b>FLA 5.4 - 4.9 / 2.45</b>		<b>FLA 4.8/2.4</b>		<b>DE BEARING 6308-2RS</b>			
<b>CODE L</b>	<b>P.F. 0.70</b>	<b>CODE L</b>	<b>P.F. 0.72</b>	<b>ODE BEARING 6306-2RS</b>			
<b>EFF 85.5</b>	<b>MIN 83.0</b>	<b>EFF 83</b>	<b>MIN 80.5</b>	<b>LUB: Mobil Polyrex EM</b>			
<b>MOTOR WEIGHT 79 LBS</b>		<b>CONNECTION 9 Lead 2Y/Y</b>		<b>SER NO</b>		<b>460V</b>	
Special purpose motor designed for washdown applications and extremely corrosive environments. Hernando, Mississippi					<b>CC 082A</b>		

**APPLICATIONS:**

Applications include washdown applications, food processing, chemical processing, pharmaceuticals, poultry processing, meat processing, dairy applications, bakeries, snack foods, bottling and extremely corrosive environments.