

PESS256TC20M-2-RB

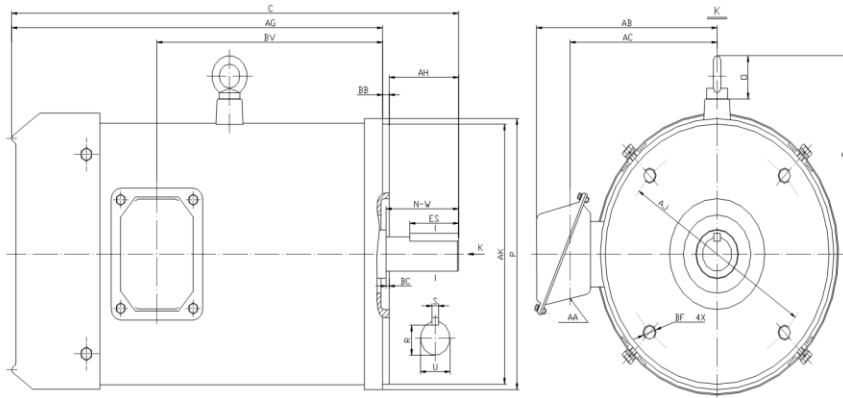
WASHDOWN DUTY MOTOR

NEMA PREMIUM EFFICIENCY

STAINLESS STEEL CONSTRUCTION - ROUND BODY (C-FLANGE FOOTLESS)

TOTALLY ENCLOSED FAN COOLED - IP66 CONSTRUCTION

INVERTER DUTY 10:1 CT; 20:1 VT - NEMA MG1 PART 31



DIMENSIONS

HP	RPM	Frame	Mounting									
			C	P	AK	AJ	AH	AG	BA	BB	BC	BF
20	3600	256TC	24.80	11.72	8.500	7.250	3.75	20.80	N/A	0.25	0.25	4*1/2-13

Shaft Extension, Key Set				Conduit Box				Bearings		Mount	
U	R	S	ES	N-W	AA	AB	AC	BV	DE		ODE
1.625	1.416	0.375	2.91	4.00	1.00	9.50	7.80	14.10	6309-2RS	6309-2RS	F1

BEARING LUBRICATION: The bearings come lubricated with Mobil Polyrex EM Polyurea Grease.





PESS256TC20M-2-RB

WASHDOWN DUTY MOTOR
NEMA PREMIUM EFFICIENCY
STAINLESS STEEL CONSTRUCTION - ROUND BODY (C-FLANGE FOOTLESS)
TOTALLY ENCLOSED FAN COOLED - IP66 CONSTRUCTION
INVERTER DUTY 10:1 CT; 20:1 VT - NEMA MG1 PART 31

PERFORMANCE DATA

HP	RPM	Frame	Voltage	Frequency (Hz)	Full Load S.F.	Insulation Class	NEMA Design	Slip (%)	NEMA Code	Enclosure Type	IP Rating	Max. Ambient
20	3540	256TC	208-230/460	60	1.15	F	B	1.7	G	TEFC	66	40° C

Amps (460V)		Efficiency (%)				Power Factor			Torque (ft-lb)			DE Bearing	ODE Bearing	Connection	Weight (lbs.)
FLA	LRA	100%	75%	50%	Min.	100%	75%	50%	FLT	LRT %	BDT %				
23.0	145.0	91.0	90.5	90.0	89.5	0.90	0.85	0.76	29.3	200	250	6309-2RS	6309-2RS	12 Lead 2Δ/Δ	285

NAME PLATE

												CONNECTION DIAGRAMS 208-230V 																	
INVERTER DUTY 20:1 VT; 10:1 CT						WASHDOWN DUTY STAINLESS STEEL MOTORS																							
CAT NO:		PESS256TC20M-2-RB				FRAME		256TC		PHASE		3		460V 															
HZ		60		S.F.		1.15		HZ		50		S.F.								1.2		ENCL		TEFC		IP		66	
HP		20		RPM		3540		HP		15		RPM								2935		DUTY		CONT		DES		B	
VOLTS		208-230/460				VOLTS		190/380				AMB								40° C		INS		F					
FLA		50 - 46 / 23				FLA		42/21				DE BEARING								6309-2RS									
CODE		G		P.F.		0.90		CODE		G		P.F.								0.91		ODE BEARING		6309-2RS					
EFF		91.0		MIN		89.5		EFF		89.5		MIN								87.5		LUB:		Mobil Polyrex EM					
MOTOR WEIGHT		285		LBS		CONNECTION		12 Lead 2Δ/Δ				SER NO																	
Special purpose motor designed for washdown applications and extremely corrosive environments. Hernando, Mississippi																								CC 082A					

APPLICATIONS:

Applications include washdown applications, food processing, chemical processing, pharmaceuticals, poultry processing, meat processing, dairy applications, bakeries, snack foods, bottling and extremely corrosive environments.