

PESS56C1.5M-4-RB

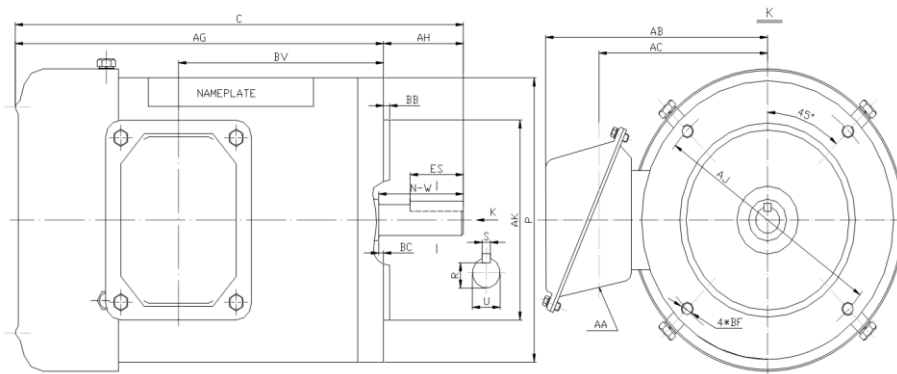
WASHDOWN DUTY MOTOR

NEMA PREMIUM EFFICIENCY

STAINLESS STEEL CONSTRUCTION - ROUND BODY (C-FLANGE FOOTLESS)

TOTALLY ENCLOSED FAN COOLED - IP66 CONSTRUCTION

INVERTER DUTY 10:1 CT; 20:1 VT - NEMA MG1 PART 31



DIMENSIONS

HP	RPM	Frame	Mounting									
			C	P	AK	AJ	AH	AG	BA	BB	BC	BF
1.5	1800	56C	12.57	6.50	4.500	5.875	2.06	10.51	N/A	0.16	-0.19	4*3/8-16

Shaft Extension, Key Set					Conduit Box				Bearings		Mount
U	R	S	ES	N-W	AA	AB	AC	BV	DE	ODE	
0.625	0.517	0.188	1.41	1.88	0.86	5.75	4.25	6.30	6205-2RS	6205-2RS	F1

BEARING LUBRICATION: The bearings come lubricated with Mobil Polyrex EM Polyurea Grease.





PESS56C1.5M-4-RB

WASHDOWN DUTY MOTOR
NEMA PREMIUM EFFICIENCY
STAINLESS STEEL CONSTRUCTION - ROUND BODY (C-FLANGE FOOTLESS)
TOTALLY ENCLOSED FAN COOLED - IP66 CONSTRUCTION
INVERTER DUTY 10:1 CT; 20:1 VT - NEMA MG1 PART 31

PERFORMANCE DATA

HP	RPM	Frame	Voltage	Frequency (Hz)	Full Load S.F.	Insulation Class	NEMA Design	Slip (%)	NEMA Code	Enclosure Type	IP Rating	Max. Ambient
1.5	1750	56C	208-230/460	60	1.15	F	B	2.8	K	TEFC	66	40° C

Amps (460V)		Efficiency (%)				Power Factor			Torque (ft-lb)			DE Bearing	ODE Bearing	Connection	Weight (lbs.)
FLA	LRA	100%	75%	50%	Min.	100%	75%	50%	FLT	LRT %	BDT %				
2.3	20.0	86.5	83.0	79.0	84.0	0.72	0.61	0.50	4.4	285	300	6205-2RS	6205-2RS	9 Lead 2Y/Y	41

NAME PLATE

												CONNECTION DIAGRAMS 208-230V 																			
INVERTER DUTY 20:1 VT; 10:1 CT						WASHDOWN DUTY STAINLESS STEEL MOTORS																									
CAT NO:		PESS56C1.5M-4-RB				FRAME		56C		PHASE		3		460V 																	
HZ		60		S.F.		1.15		HZ		50		S.F.								1.2		ENCL		TEFC		IP		66			
HP		1.5		RPM		1750		HP		1		RPM								1450		DUTY		CONT		DES		B			
VOLTS		208-230/460				VOLTS		190/380		AMB		40° C								INS		F									
FLA		5 - 4.6 / 2.3				FLA		3.2/1.6		DE BEARING		6205-2RS																			
CODE		K		P.F.		0.72		CODE		K		P.F.								0.75		ODE BEARING		6205-2RS							
EFF		86.5		MIN		84.0		EFF		84		MIN								81.5		LUB:		Mobil Polyrex EM							
MOTOR WEIGHT		41		LBS		CONNECTION		9 Lead 2Y/Y		SER NO																					
Special purpose motor designed for washdown applications and extremely corrosive environments. Hernando, Mississippi												CC 082A																			

APPLICATIONS:

Applications include washdown applications, food processing, chemical processing, pharmaceuticals, poultry processing, meat processing, dairy applications, bakeries, snack foods, bottling and extremely corrosive environments.