



**PES56C2M-2-RB**

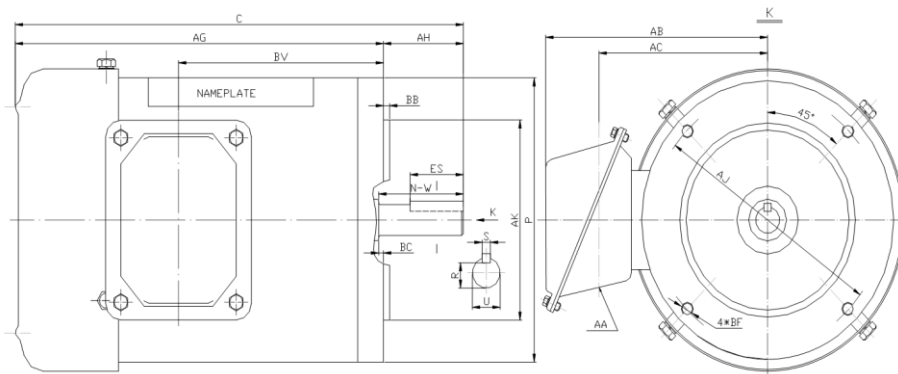
**WASHDOWN DUTY MOTOR**

**NEMA PREMIUM EFFICIENCY**

**STAINLESS STEEL CONSTRUCTION - ROUND BODY (C-FLANGE FOOTLESS)**

**TOTALLY ENCLOSED FAN COOLED - IP66 CONSTRUCTION**

**INVERTER DUTY 10:1 CT; 20:1 VT - NEMA MG1 PART 31**



**DIMENSIONS**

HP	RPM	Frame	Mounting									
			C	P	AK	AJ	AH	AG	BA	BB	BC	BF
2	3600	56C	13.75	6.50	4.500	5.875	2.06	11.69	N/A	0.16	-0.19	4*3/8-16

Shaft Extension, Key Set					Conduit Box				Bearings		Mount
U	R	S	ES	N-W	AA	AB	AC	BV	DE	ODE	
0.625	0.517	0.188	1.41	1.88	0.86	5.75	4.25	7.50	6205-2RS	6205-2RS	F1

**BEARING LUBRICATION:** The bearings come lubricated with Mobil Polyrex EM Polyurea Grease.





**PESS56C2M-2-RB**

**WASHDOWN DUTY MOTOR**  
**NEMA PREMIUM EFFICIENCY**  
**STAINLESS STEEL CONSTRUCTION - ROUND BODY (C-FLANGE FOOTLESS)**  
**TOTALLY ENCLOSED FAN COOLED - IP66 CONSTRUCTION**  
**INVERTER DUTY 10:1 CT; 20:1 VT - NEMA MG1 PART 31**

**PERFORMANCE DATA**

HP	RPM	Frame	Voltage	Frequency (Hz)	Full Load S.F.	Insulation Class	NEMA Design	Slip (%)	NEMA Code	Enclosure Type	IP Rating	Max. Ambient
2	3480	56C	208-230/460	60	1.15	F	B	3.3	K	TEFC	66	40° C

Amps (460V)		Efficiency (%)				Power Factor			Torque (ft-lb)			DE Bearing	ODE Bearing	Connection	Weight (lbs.)
FLA	LRA	100%	75%	50%	Min.	100%	75%	50%	FLT	LRT %	BDT %				
2.4	25.0	85.5	79.0	75.0	82.5	0.90	0.85	0.78	2.9	285	300	6205-2RS	6205-2RS	9 Lead 2Y/Y	44

**NAME PLATE**

															<b>CONNECTION DIAGRAMS</b>  <b>208-230V</b> 		
<b>INVERTER DUTY 20:1 VT; 10:1 CT</b>										<b>WASHDOWN DUTY STAINLESS STEEL MOTORS</b>							
CAT NO: PESS56C2M-2-RB			FRAME 56C			PHASE 3				<b>460V</b> 							
HZ 60	S.F. 1.15	HZ 50	S.F. 1.2	ENCL TEFC	IP 66												
HP 2	RPM 3480	HP 1.5	RPM 2870	DUTY CONT	DES B												
VOLTS 208-230/460		VOLTS 190/380		AMB 40° C	INS F												
FLA 4.9 - 4.8 / 2.4		FLA 4.4/2.2		DE BEARING 6205-2RS													
CODE K	P.F. 0.90	CODE K	P.F. 0.91	ODE BEARING 6205-2RS													
EFF 85.5	MIN 82.5	EFF 82.5	MIN 79.5	LUB: Mobil Polyrex EM													
MOTOR WEIGHT 44 LBS		CONNECTION 9 Lead 2Y/Y		SER NO													
Special purpose motor designed for washdown applications and extremely corrosive environments. Hernando, Mississippi										CC 082A							

**APPLICATIONS:**

Applications include washdown applications, food processing, chemical processing, pharmaceuticals, poultry processing, meat processing, dairy applications, bakeries, snack foods, bottling and extremely corrosive environments.