

**SS143TC3/4M-6-RB**

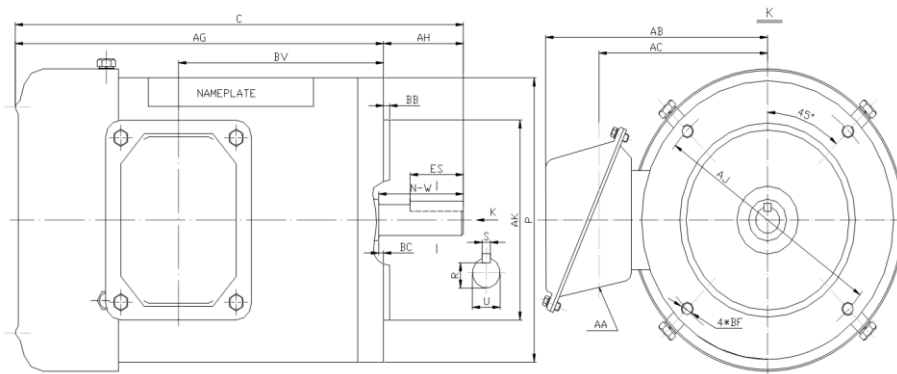
WASHDOWN DUTY MOTOR

HIGH EFFICIENCY / EISA COMPLIANT

STAINLESS STEEL CONSTRUCTION - ROUND BODY (C-FLANGE FOOTLESS)

TOTALLY ENCLOSED FAN COOLED - IP66 CONSTRUCTION

INVERTER DUTY 10:1 CT; 20:1 VT - NEMA MG1 PART 31



**DIMENSIONS**

HP	RPM	Frame	Mounting									
			C	P	AK	AJ	AH	AG	BA	BB	BC	BF
3/4	1200	143TC	12.63	6.50	4.500	5.875	2.12	10.51	0.16	N/A	10.51	4*3/8-16

Shaft Extension, Key Set				Conduit Box				Bearings		Mount	
U	R	S	ES	N-W	AA	AB	AC	BV	DE		ODE
0.875	0.771	0.188	1.41	2.25	0.86	5.75	4.25	6.30	6205-2RS	6205-2RS	F1

**BEARING LUBRICATION:** The bearings come lubricated with Mobil Polyrex EM Polyurea Grease.





## SS143TC3/4M-6-RB

**WASHDOWN DUTY MOTOR**

**HIGH EFFICIENCY / EISA COMPLIANT**

**STAINLESS STEEL CONSTRUCTION - ROUND BODY (C-FLANGE FOOTLESS)**

**TOTALLY ENCLOSED FAN COOLED - IP66 CONSTRUCTION**

**INVERTER DUTY 10:1 CT; 20:1 VT - NEMA MG1 PART 31**

### PERFORMANCE DATA

HP	RPM	Frame	Voltage	Frequency (Hz)	Full Load S.F.	Insulation Class	NEMA Design	Slip (%)	NEMA Code	Enclosure Type	IP Rating	Max. Ambient
3/4	1155	143TC	208-230/460	60	1.15	F	B	3.8	K	TEFC	66	40° C

Amps (460V)		Efficiency (%)				Power Factor			Torque (ft-lb)			DE Bearing	ODE Bearing	Connection	Weight (lbs.)
FLA	LRA	100%	75%	50%	Min.	100%	75%	50%	FLT	LRT %	BDT %				
1.9	12.5	80.0	76.0	71.0	77.0	0.65	0.58	0.50	3.3	255	280	6205-2RS	6205-2RS	9 Lead 2Y/Y	35

### NAME PLATE

		<b>WASHDOWN DUTY STAINLESS STEEL MOTOR</b>								<b>CONNECTION DIAGRAMS</b>		
<b>INVERTER DUTY 20:1 VT; 10:1 CT</b>		<b>HIGH EFFICIENCY COMPLIANT</b>				<b>EISA</b>				<b>208-230V</b>		
<b>CAT NO: SS143TC3/4M-6-RB</b>		<b>FRAME 143TC</b>		<b>PHASE 3</b>								
<b>HZ 60 S.F. 1.15</b>		<b>HZ 50 S.F. 1.2</b>		<b>ENCL TEFC</b>		<b>IP 66</b>				<b>460V</b>		
<b>HP 3/4 RPM 1155</b>		<b>HP 1/2 RPM 955</b>		<b>DUTY CONT</b>		<b>DES B</b>						
<b>VOLTS 208-230/460</b>		<b>VOLTS 190/380</b>		<b>AMB 40° C</b>		<b>INS F</b>						
<b>FLA 3.8 - 3.7 / 1.85</b>		<b>FLA 2.8/1.4</b>		<b>DE BEARING 6205-2RS</b>		<b>ODE BEARING 6205-2RS</b>						
<b>CODE K P.F. 0.65</b>		<b>CODE K P.F. 0.67</b>		<b>ODE BEARING 6205-2RS</b>								
<b>EFF 80.0 MIN 77.0</b>		<b>EFF 77 MIN 74</b>		<b>LUB: Mobil Polyrex EM</b>								
<b>MOTOR WEIGHT 35 LBS</b>		<b>CONNECTION 9 Lead 2Y/Y</b>		<b>SER NO</b>								
Special purpose motor designed for washdown applications and extremely corrosive environments. Hernando, Mississippi								<b>CC 082A</b>				

### APPLICATIONS:

Applications include washdown applications, food processing, chemical processing, pharmaceuticals, poultry processing, meat processing, dairy applications, bakeries, snack foods, bottling and extremely corrosive environments.