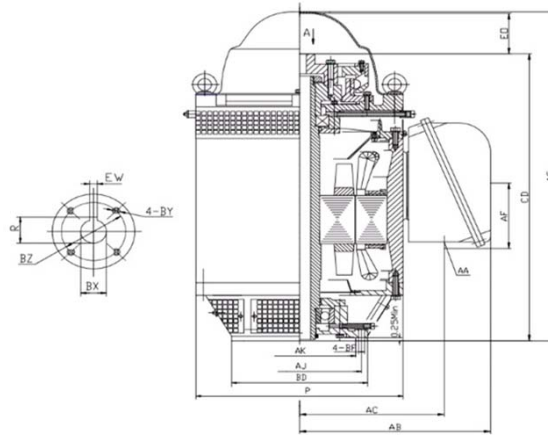


**V1-25D4-W28410A**

VERTICAL HOLLOW SHAFT MOTOR  
 NEMA PREMIUM EFFICIENCY  
 HIGH THRUST DESIGN  
 THREE PHASE, OPEN DRIP PROOF (WP1) ENCLOSURE  
 NON-REVERSE BALL TYPE RATCHET  
 COUPLING INCLUDED



**DIMENSIONS**

HP	RPM	Frame	MOUNTING DIMENSIONS													
			BD	AJ	AK	BF	BX	BZ	EW	R	BY	CD	E0 >	AC	AA	AF
25	1770	284TP	10.00	9.125	8.25	0.44	1.00	1.38	0.25	1.114	10-32	24.75	4.29	11.65	3" NPT	5.83

OVERALL DIMENSIONS			BEARINGS	
P	AB	AG	UPPER	BOTTOM
17.32	15.07	29.25	6212	7312B

**COUPLING:** Motor comes with a 1.0" coupling. You may select a different size coupling at no extra charge.

**BEARING LUBRICATION:** The bottom bearing comes lubricated with Mobil Polyrex EM Polyurea Grease.





**V1-25D4-W28410A**

**VERTICAL HOLLOW SHAFT MOTOR**  
**NEMA PREMIUM EFFICIENCY**  
**HIGH THRUST DESIGN**  
**THREE PHASE, OPEN DRIP PROOF (WP1) ENCLOSURE**  
**NON-REVERSE BALL TYPE RATCHET**

**PERFORMANCE DATA**

HP	RPM	Frame	Voltage	Frequency (Hz)	Full Load S.F.	Insulation Class	NEMA Design	Slip (%)	NEMA Code	Enclosure Type	IP Rating	Max. Ambient	Rating CONT
25	1785	284TP	230/460	60	1.15	F	B	0.8	H	WP1	23	40° C	S1

Amps (460V)		Efficiency (%)					Power Factor			Torque (ft-lb)			Down Thrust	Angular Contact Bearing	Radial Ball Bearing	Connection	Weight (lbs.)
FLA	LRA	100%	75%	50%	Min.	100%	75%	50%	FLT	LRT %	BDT %	3200	UPPER	BOTTOM	12 Lead 2Δ/Δ	668	
28.8	210.0	93.6	93.0	92.0	92.4	0.86	0.83	0.76	73.0	215	250		6212	7312B			

**NAME PLATE**

				<b>VERTICAL HOLLOW SHAFT ELECTRIC MOTOR</b>				<b>CONNECTION DIAGRAMS</b>			
<b>INVERTER RATED 10:1 VT</b>				<b>HIGH THRUST DESIGN</b>				<b>208-230V</b>			
MODEL	V1-25D4-W28410A			PHASE	3	Hz	60				
HP	25	FRAME	284TP	VOLTS	230/460						
DESIGN	B	CODE	H	AMPS	57.6/28.8						
NOM EFF.	93.6	P.F.	0.86	INSULATION CLASS	F						
RATING CONT	S1	S.F.	1.15	MAX AMB.	40° C	WEIGHT	668 LBS.				
DOWN THRUST	3200			ENCLOSURE TYPE	WP1						
UPPER BEARING	6212			BOTTOM BEARING	7312B						
LUBRICATION	MOBILE POLYREX EM			LUBRICATION	MOBILE POLYREX EM						
NON-REVERSE RATCHET - BALL TYPE				SERIAL NO.							
Specifically designed for use on deep well turbine pump applications. Hernando, Mississippi								PART WIND START CAPABLE @ 230V			

**APPLICATIONS:**

Specifically designed for use on deep well turbine pump applications. The coupling is equipped with a non-reverse ratchet, which prevents motor rotation from backspin at shutdown. These motors are built to NEMA standards and have special bearing arrangements to carry heavy thrust loads.