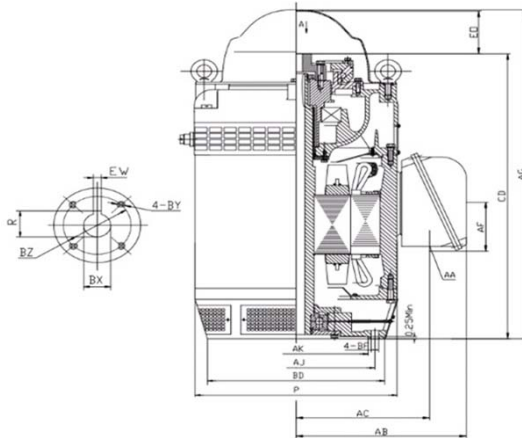


**V1-50D4-W32616A**

VERTICAL HOLLOW SHAFT MOTOR  
 NEMA PREMIUM EFFICIENCY  
 HIGH THRUST DESIGN  
 THREE PHASE, OPEN DRIP PROOF (WP1) ENCLOSURE  
 NON-REVERSE BALL TYPE RATCHET  
 COUPLING INCLUDED



**DIMENSIONS**

HP	RPM	Frame	MOUNTING DIMENSIONS													
			BD	AJ	AK	BF	BX	BZ	EW	R	BY	CD	E0 >	AC	AA	AF
50	1770	326TP	16.50	14.750	13.50	0.69	1.25	1.75	0.25	1.367	1/4-20	28.22	4.50	12.56	3" NPT	5.83

OVERALL DIMENSIONS			BEARINGS	
P	AB	AG	UPPER	BOTTOM
18.89	15.90	32.22	7221B	6213

**COUPLING:** Motor comes with a 1.25 coupling. You may select a different size coupling at no extra charge.

**BEARING LUBRICATION:** The bottom bearing comes lubricated with Mobil Polyrex EM Polyurea Grease.

**OIL RESERVOIR:** Motor is shipped without oil. The oil capacity is 2.34 quarts.

**STEADY BUSHING:** Motor is designed to accept a steady bushing. The bore size is 1.654 inches.





## V1-50D4-W32616A

**VERTICAL HOLLOW SHAFT MOTOR**  
**NEMA PREMIUM EFFICIENCY**  
**HIGH THRUST DESIGN**  
**THREE PHASE, OPEN DRIP PROOF (WP1) ENCLOSURE**  
**NON-REVERSE BALL TYPE RATCHET**

### PERFORMANCE DATA

HP	RPM	Frame	Voltage	Frequency (Hz)	Full Load S.F.	Insulation Class	NEMA Design	Slip (%)	NEMA Code	Enclosure Type	IP Rating	Max. Ambient	Rating CONT
50	1785	326TP	230/460	60	1.15	F	B	0.8	H	WP1	23	40° C	S1

Amps (460V)		Efficiency (%)				Power Factor			Torque (ft-lb)			Down Thrust	Angular Contact Bearing	Radial Ball Bearing	Connection	Weight (lbs.)
FLA	LRA	100%	75%	50%	Min.	100%	75%	50%	FLT	LRT %	BDT %	5500	UPPER	BOTTOM	12 Lead 2Δ/Δ	910
56.4	418.0	94.5	94.6	93.5	93.6	0.87	0.83	0.75	146.0	216	230	7221B	6213			

### NAME PLATE

				<b>VERTICAL HOLLOW SHAFT ELECTRIC MOTOR</b>				<b>CONNECTION DIAGRAMS</b>			
<b>INVERTER RATED 10:1 VT</b>				<b>HIGH THRUST DESIGN</b>				<b>208-230V</b>			
MODEL	V1-50D4-W32616A			PHASE	3	Hz	60				
HP	50	FRAME	326TP	VOLTS	230/460						
DESIGN	B	CODE	H	AMPS	112.8/56.4						
NOM EFF.	94.5	P.F.	0.87	INSULATION CLASS	F						
RATING CONT	S1	S.F.	1.15	MAX AMB.	40° C	WEIGHT	910 LBS.				
DOWN THRUST	5500			ENCLOSURE TYPE	WP1						
UPPER BEARING	7221B			BOTTOM BEARING	6213						
OIL CAP. UPPER BEARING	2.34	QTS		LUBRICATION	MOBILE POLYREX EM						
NON-REVERSE RATCHET - BALL TYPE				SERIAL NO.							
Specifically designed for use on deep well turbine pump applications. Hernando, Mississippi								PART WIND START CAPABLE @ 230V			

### APPLICATIONS:

Specifically designed for use on deep well turbine pump applications. The coupling is equipped with a non-reverse ratchet, which prevents motor rotation from backspin at shutdown. These motors are built to NEMA standards and have special bearing arrangements to carry heavy thrust loads.