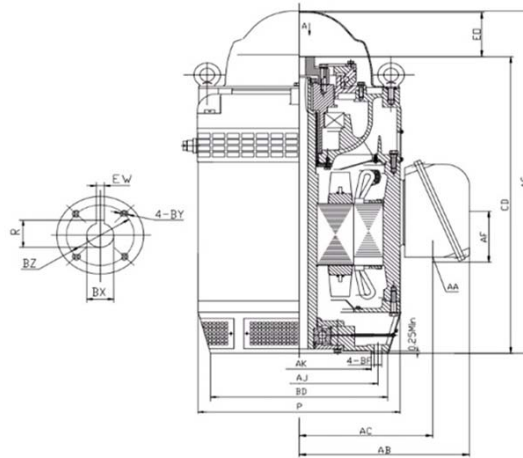


V2-125S4-W40516A

- VERTICAL HOLLOW SHAFT MOTOR
- NEMA PREMIUM EFFICIENCY
- INVERTER DUTY 20:1 VT
- INCLUDES INSULATED BEARING MOUNT - 40 HP AND ABOVE
- HIGH THRUST DESIGN
- THREE PHASE, OPEN DRIP PROOF (WP1) ENCLOSURE
- NON-REVERSE BALL TYPE RATCHET
- COUPLING INCLUDED



DIMENSIONS																
HP	RPM	Frame	MOUNTING DIMENSIONS													
			BD	AJ	AK	BF	BX	BZ	EW	R	BY	CD	E0 >	AC	AA	AF
125	1780	405TP	16.50	14.750	13.50	0.69	1.50	2.13	0.38	1.706	1/4-20	36.94	6.46	16.18	3" NPT	7.56

OVERALL DIMENSIONS			BEARINGS	
P	AB	AG	UPPER	BOTTOM
23.30	20.70	43.40	7230B	6317

COUPLING: Motor comes with a 1.50 coupling. You may select a different size coupling at no extra charge.

BEARING LUBRICATION: The bottom bearing comes lubricated with Mobil Polyrex EM Polyurea Grease.

OIL RESERVOIR: Motor is shipped without oil. The oil capacity is 4.76 quarts.

STEADY BUSHING: Motor is designed to accept a steady bushing. The bore size is 2.047 inches.





V2-125S4-W40516A

VERTICAL HOLLOW SHAFT MOTOR
NEMA PREMIUM EFFICIENCY
INVERTER DUTY 20:1 VT
INCLUDES INSULATED BEARING MOUNT - 40 HP AND ABOVE
HIGH THRUST DESIGN
THREE PHASE, OPEN DRIP PROOF (WP1) ENCLOSURE
NON-REVERSE BALL TYPE RATCHET

PERFORMANCE DATA

HP	RPM	Frame	Voltage	Frequency (Hz)	Full Load S.F.	Insulation Class	NEMA Design	Slip (%)	NEMA Code	Enclosure Type	IP Rating	Max. Ambient	Rating CONT
125	1788	405TP	460	60	1.15	F	B	0.7	H	WP1	23	40° C	S1

Amps (460V)		Efficiency (%)				Power Factor			Torque (ft-lb)			Down Thrust	Angular Contact Bearing	Radial Ball Bearing	Connection	Weight (lbs.)
FLA	LRA	100%	75%	50%	Min.	100%	75%	50%	FLT	LRT %	BDT %	6700	UPPER	BOTTOM	6 Lead Δ	1782
139.0	998.0	95.4	96.1	95.5	94.5	0.88	0.85	0.78	365.0	210	230		7230B	6317		

NAME PLATE

VERTICAL HOLLOW SHAFT ELECTRIC MOTOR INVERTER DUTY 20:1 VT HIGH THRUST DESIGN				CONNECTION DIAGRAMS				
MODEL	V2-125S4-W40516A		PHASE	3	Hz	60	Across The Line 	
HP	125	FRAME	405TP	VOLTS	460			
DESIGN	B	CODE	H	AMPS	139			
NOM EFF.	95.4	P.F.	0.88	INSULATION CLASS	F			
RATING CONT	S1	S.F.	1.15	MAX AMB.	40° C	WEIGHT	1782 LBS.	PWS Start
DOWN THRUST	6700		ENCLOSURE TYPE	WP1				
UPPER BEARING	7230B		BOTTOM BEARING	6317			PWS Run 	
OIL CAP.	UPPER BEARING	4.76	QTS	LUBRICATION	MOBILE POLYREX EM			
NON-REVERSE RATCHET - BALL TYPE			SERIAL NO.					
Specifically designed for use on deep well turbine pump applications. Hernando, Mississippi								

APPLICATIONS:

Specifically designed for use on deep will turbine pump applications. The coupling is equipped with a non-reverse ratchet, which prevents motor rotation from backspin at shutdown. These motors are built to NEMA standards and have special bearing arrangements to carry heavy thrust loads.