

**V2-350S4-W500624A-EHT**

VERTICAL HOLLOW SHAFT MOTOR

NEMA PREMIUM EFFICIENCY

INVERTER DUTY 20:1 VT

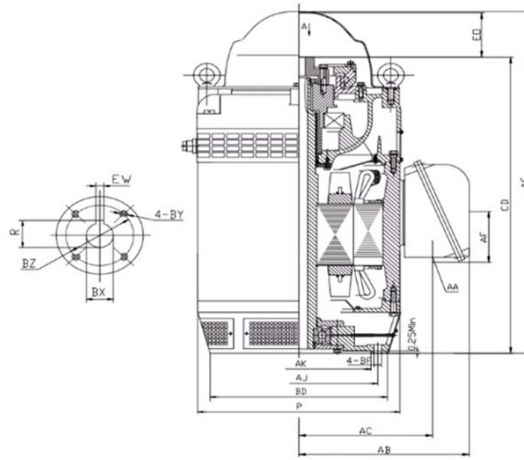
INCLUDES INSULATED BEARING MOUNT - 40 HP AND ABOVE

EXTRA HIGH THRUST DESIGN

THREE PHASE, OPEN DRIP PROOF (WP1) ENCLOSURE

NON-REVERSE BALL TYPE RATCHET

COUPLING INCLUDED



DIMENSIONS																
HP	RPM	Frame	MOUNTING DIMENSIONS													
			BD	AJ	AK	BF	BX	BZ	EW	R	BY	CD	E0 >	AC	AA	AF
350	1780	5006P	24.50	14.750	13.50	0.69	1.69	2.50	0.38	1.854	1/4-20	49.75	8.10	22.24	3" NPT	7.87

OVERALL DIMENSIONS			BEARINGS	
P	AB	AG	UPPER	BOTTOM
28.98	27.38	57.85	7236B/DT	6322

COUPLING: Motor comes with a 1.69 coupling. You may select a different size coupling at no extra charge.

BEARING LUBRICATION: The bottom bearing comes lubricated with Mobil Polyrex EM Polyurea Grease.

OIL RESERVOIR: Motor is shipped without oil. The oil capacity is 0 quarts.



**V2-350S4-W500624A-EHT**

**VERTICAL HOLLOW SHAFT MOTOR**  
**NEMA PREMIUM EFFICIENCY**  
**INVERTER DUTY 20:1 VT**  
**INCLUDES INSULATED BEARING MOUNT - 40 HP AND ABOVE**  
**EXTRA HIGH THRUST DESIGN**  
**THREE PHASE, OPEN DRIP PROOF (WP1) ENCLOSURE**  
**NON-REVERSE BALL TYPE RATCHET**

**PERFORMANCE DATA**

HP	RPM	Frame	Voltage	Frequency (Hz)	Full Load S.F.	Insulation Class	NEMA Design	Slip (%)	NEMA Code	Enclosure Type	IP Rating	Max. Ambient	Rating CONT
350	1790	5006P	460	60	1.15	F	B	0.6	G	WP1	23	40° C	S1

Amps (460V)		Efficiency (%)				Power Factor			Torque (ft-lb)			Down Thrust	Angular Contact Bearing	Radial Ball Bearing	Connection	Weight (lbs.)
FLA	LRA	100%	75%	50%	Min.	100%	75%	50%	FLT	LRT %	BDT %	24000	UPPER	BOTTOM	6 Lead Δ	3491
379.0	2672	95.8	94.2	93.3	95.0	0.90	0.88	0.85	1022	178	230		7236B/DT	6322		

**NAME PLATE**

<b>VERTICAL HOLLOW SHAFT ELECTRIC MOTOR</b> INVERTER DUTY 20:1 VT EXTRA HIGH THRUST DESIGN				<b>CONNECTION DIAGRAMS</b>				
MODEL	V2-350S4-W500624A-EHT	PHASE	3	Hz	60	<b>Across The Line</b> 		
HP	350	FRAME	5006P	VOLTS	460			
DESIGN	B	CODE	G	AMPS	379			
NOM EFF.	95.8	P.F.	0.90	INSULATION CLASS	F			
RATING CONT	S1	S.F.	1.15	MAX AMB.	40° C	WEIGHT	3491 LBS.	<b>PWS Start</b> 
DOWN THRUST	24000		ENCLOSURE TYPE	WP1				
UPPER BEARING	7236B/DT	(X 2) EHT	BOTTOM BEARING	6322				
OIL CAP.	UPPER BEARING	0	QTS	LUBRICATION	MOBILE POLYREX EM			
NON-REVERSE RATCHET - BALL TYPE			SERIAL NO.			<b>PWS Run</b> 		
Specifically designed for use on deep well turbine pump applications. Hernando, Mississippi								

**APPLICATIONS:**

Specifically designed for use on deep well turbine pump applications. The coupling is equipped with a non-reverse ratchet, which prevents motor rotation from backspin at shutdown. These motors are built to NEMA standards and have special bearing arrangements to carry heavy thrust loads.