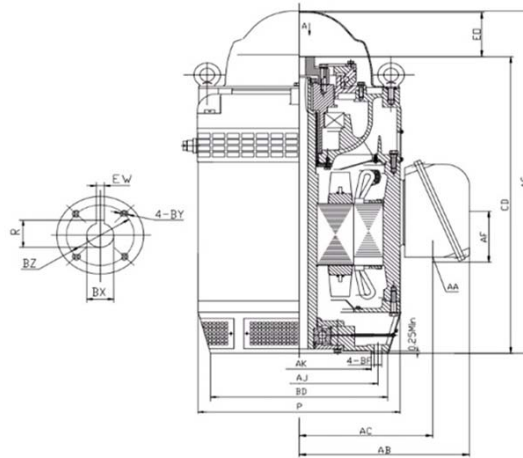


V2-40S4-W32416A

- VERTICAL HOLLOW SHAFT MOTOR
- NEMA PREMIUM EFFICIENCY
- INVERTER DUTY 20:1 VT
- INCLUDES INSULATED BEARING MOUNT - 40 HP AND ABOVE
- HIGH THRUST DESIGN
- THREE PHASE, OPEN DRIP PROOF (WP1) ENCLOSURE
- NON-REVERSE BALL TYPE RATCHET
- COUPLING INCLUDED



DIMENSIONS																
HP	RPM	Frame	MOUNTING DIMENSIONS													
			BD	AJ	AK	BF	BX	BZ	EW	R	BY	CD	E0 >	AC	AA	AF
40	1770	324TP	16.50	14.750	13.50	0.69	1.25	1.75	0.25	1.367	1/4-20	28.22	4.50	12.56	3" NPT	5.83

OVERALL DIMENSIONS			BEARINGS	
P	AB	AG	UPPER	BOTTOM
18.89	15.90	32.22	7221B	6213

COUPLING: Motor comes with a 1.25 coupling. You may select a different size coupling at no extra charge.

BEARING LUBRICATION: The bottom bearing comes lubricated with Mobil Polyrex EM Polyurea Grease.

OIL RESERVOIR: Motor is shipped without oil. The oil capacity is 2.34 quarts.

STEADY BUSHING: Motor is designed to accept a steady bushing. The bore size is 1.654 inches.





V2-40S4-W32416A

VERTICAL HOLLOW SHAFT MOTOR
NEMA PREMIUM EFFICIENCY
INVERTER DUTY 20:1 VT
INCLUDES INSULATED BEARING MOUNT - 40 HP AND ABOVE
HIGH THRUST DESIGN
THREE PHASE, OPEN DRIP PROOF (WP1) ENCLOSURE
NON-REVERSE BALL TYPE RATCHET

PERFORMANCE DATA

HP	RPM	Frame	Voltage	Frequency (Hz)	Full Load S.F.	Insulation Class	NEMA Design	Slip (%)	NEMA Code	Enclosure Type	IP Rating	Max. Ambient	Rating CONT
40	1785	324TP	460	60	1.15	F	B	0.8	H	WP1	23	40° C	S1

Amps (460V)		Efficiency (%)				Power Factor			Torque (ft-lb)			Down Thrust	Angular Contact Bearing	Radial Ball Bearing	Connection	Weight (lbs.)
FLA	LRA	100%	75%	50%	Min.	100%	75%	50%	FLT	LRT %	BDT %	5500	UPPER	BOTTOM	6 Lead Δ	860
46.0	345.0	94.1	94.0	92.8	93.0	0.87	0.82	0.73	117.0	213	240		7221B	6213		

NAME PLATE

VERTICAL HOLLOW SHAFT ELECTRIC MOTOR INVERTER DUTY 20:1 VT HIGH THRUST DESIGN				CONNECTION DIAGRAMS		
MODEL V2-40S4-W32416A		PHASE 3		Hz 60		Across The Line
HP 40	FRAME 324TP	VOLTS 460				
DESIGN B	CODE H	AMPS 46				
NOM EFF. 94.1	P.F. 0.87	INSULATION CLASS F				PWS Start
RATING CONT S1	S.F. 1.15	MAX AMB. 40° C	WEIGHT 860 LBS.			
DOWN THRUST 5500		ENCLOSURE TYPE WP1				
UPPER BEARING 7221B		BOTTOM BEARING 6213				PWS Run
OIL CAP. UPPER BEARING 2.34 QTS	LUBRICATION MOBILE POLYREX EM					
NON-REVERSE RATCHET - BALL TYPE		SERIAL NO.				
Specifically designed for use on deep well turbine pump applications. Hernando, Mississippi						

APPLICATIONS:

Specifically designed for use on deep will turbine pump applications. The coupling is equipped with a non-reverse ratchet, which prevents motor rotation from backspin at shutdown. These motors are built to NEMA standards and have special bearing arrangements to carry heavy thrust loads.