

**V2-500S4-W500824A-EHT**

VERTICAL HOLLOW SHAFT MOTOR

NEMA PREMIUM EFFICIENCY

INVERTER DUTY 20:1 VT

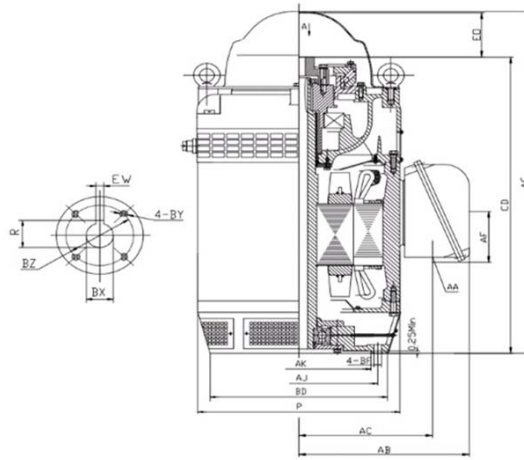
INCLUDES INSULATED BEARING MOUNT - 40 HP AND ABOVE

EXTRA HIGH THRUST DESIGN

THREE PHASE, OPEN DRIP PROOF (WP1) ENCLOSURE

NON-REVERSE BALL TYPE RATCHET

COUPLING INCLUDED



DIMENSIONS																
HP	RPM	Frame	MOUNTING DIMENSIONS													
			BD	AJ	AK	BF	BX	BZ	EW	R	BY	CD	EO >	AC	AA	AF
500	1780	5008P	24.50	14.750	13.50	0.69	2.188	3.25	0.50	2.409	3/6-16	53.88	8.10	22.24	3" NPT	7.87

OVERALL DIMENSIONS			BEARINGS	
P	AB	AG	UPPER	BOTTOM
28.98	27.38	61.88	7236B/DT	6322

COUPLING: Motor comes with a 2.19 coupling. You may select a different size coupling at no extra charge.

BEARING LUBRICATION: The bottom bearing comes lubricated with Mobil Polyrex EM Polyurea Grease.

OIL RESERVOIR: Motor is shipped without oil. The oil capacity is 0 quarts.





**V2-500S4-W500824A-EHT**

**VERTICAL HOLLOW SHAFT MOTOR**  
**NEMA PREMIUM EFFICIENCY**  
**INVERTER DUTY 20:1 VT**  
**INCLUDES INSULATED BEARING MOUNT - 40 HP AND ABOVE**  
**EXTRA HIGH THRUST DESIGN**  
**THREE PHASE, OPEN DRIP PROOF (WP1) ENCLOSURE**  
**NON-REVERSE BALL TYPE RATCHET**

**PERFORMANCE DATA**

HP	RPM	Frame	Voltage	Frequency (Hz)	Full Load S.F.	Insulation Class	NEMA Design	Slip (%)	NEMA Code	Enclosure Type	IP Rating	Max. Ambient	Rating CONT
500	1790	5008P	460	60	1.15	F	B	0.6	G	WP1	23	40° C	S1

Amps (460V)		Efficiency (%)				Power Factor			Torque (ft-lb)			Down Thrust	Angular Contact Bearing	Radial Ball Bearing	Connection	Weight (lbs.)
FLA	LRA	100%	75%	50%	Min.	100%	75%	50%	FLT	LRT %	BDT %		UPPER	BOTTOM		
544.0	3645	96.2	95.8	94.4	95.4	0.90	0.88	0.83	1460	168	220	24000	7236B/DT	6322	6 Lead Δ	4123

**NAME PLATE**

				<b>VERTICAL HOLLOW SHAFT ELECTRIC MOTOR</b>				<b>CONNECTION DIAGRAMS</b>			
<b>INVERTER DUTY 20:1 VT</b>				<b>EXTRA HIGH THRUST DESIGN</b>				<b>Across The Line</b> 			
MODEL	V2-500S4-W500824A-EHT	PHASE	3	Hz	60						
HP	500	FRAME	5008P	VOLTS	460						
DESIGN	B	CODE	G	AMPS	544						
NOM EFF.	96.2	P.F.	0.90	INSULATION CLASS	F						
RATING CONT	S1	S.F.	1.15	MAX AMB.	40° C	WEIGHT	4123	LBS.			
DOWN THRUST	24000	ENCLOSURE TYPE	WP1								
UPPER BEARING	7236B/DT	(X 2) EHT	BOTTOM BEARING	6322							
OIL CAP.	UPPER BEARING	0	QTS	LUBRICATION	MOBILE POLYREX EM						
NON-REVERSE RATCHET - BALL TYPE				SERIAL NO.							
Specifically designed for use on deep well turbine pump applications. Hernando, Mississippi								<b>PWS Start</b> 			
								<b>PWS Run</b> 			

**APPLICATIONS:**

Specifically designed for use on deep well turbine pump applications. The coupling is equipped with a non-reverse ratchet, which prevents motor rotation from backspin at shutdown. These motors are built to NEMA standards and have special bearing arrangements to carry heavy thrust loads.