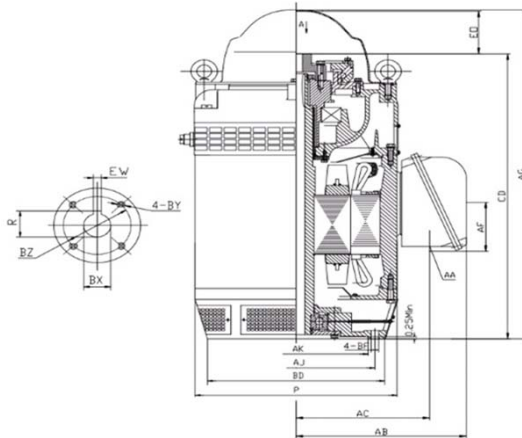


V2-60D4-W36416A

VERTICAL HOLLOW SHAFT MOTOR
 NEMA PREMIUM EFFICIENCY
 INVERTER DUTY 20:1 VT
 INCLUDES INSULATED BEARING MOUNT - 40 HP AND ABOVE
 HIGH THRUST DESIGN
 THREE PHASE, OPEN DRIP PROOF (WP1) ENCLOSURE
 NON-REVERSE BALL TYPE RATCHET
 COUPLING INCLUDED



DIMENSIONS

HP	RPM	Frame	MOUNTING DIMENSIONS													
			BD	AJ	AK	BF	BX	BZ	EW	R	BY	CD	E0 >	AC	AA	AF
60	1770	364TP	16.50	14.750	13.50	0.69	1.25	1.75	0.25	1.367	1/4-20	31.16	6.00	13.58	3" NPT	5.83

OVERALL DIMENSIONS			BEARINGS	
P	AB	AG	UPPER	BOTTOM
21.00	17.00	37.16	7224B	6314

COUPLING: Motor comes with a 1.25 coupling. You may select a different size coupling at no extra charge.

BEARING LUBRICATION: The bottom bearing comes lubricated with Mobil Polyrex EM Polyurea Grease.

OIL RESERVOIR: Motor is shipped without oil. The oil capacity is 2.81 quarts.

STEADY BUSHING: Motor is designed to accept a steady bushing. The bore size is 1.654 inches.





V2-60D4-W36416A

VERTICAL HOLLOW SHAFT MOTOR
NEMA PREMIUM EFFICIENCY
INVERTER DUTY 20:1 VT
INCLUDES INSULATED BEARING MOUNT - 40 HP AND ABOVE
HIGH THRUST DESIGN
THREE PHASE, OPEN DRIP PROOF (WP1) ENCLOSURE
NON-REVERSE BALL TYPE RATCHET

PERFORMANCE DATA

HP	RPM	Frame	Voltage	Frequency (Hz)	Full Load S.F.	Insulation Class	NEMA Design	Slip (%)	NEMA Code	Enclosure Type	IP Rating	Max. Ambient	Rating CONT
60	1787	364TP	230/460	60	1.15	F	B	0.7	H	WP1	23	40° C	S1

Amps (460V)		Efficiency (%)				Power Factor			Torque (ft-lb)			Down Thrust	Angular Contact Bearing	Radial Ball Bearing	Connection	Weight (lbs.)
FLA	LRA	100%	75%	50%	Min.	100%	75%	50%	FLT	LRT %	BDT %	5600	UPPER	BOTTOM	12 Lead 2Δ/Δ	1179
68.3	505.0	95.0	94.7	92.5	94.1	0.87	0.83	0.75	175.0	218	240		7224B	6314		

NAME PLATE

		VERTICAL HOLLOW SHAFT ELECTRIC MOTOR				CONNECTION DIAGRAMS		
INVERTER DUTY 20:1 VT		HIGH THRUST DESIGN				208-230V		
MODEL	V2-60D4-W36416A	PHASE	3	Hz	60			
HP	60	FRAME	364TP	VOLTS	230/460	460V		
DESIGN	B	CODE	H	AMPS	136.6/68.3			
NOM EFF.	95.0	P.F.	0.87	INSULATION CLASS	F			
RATING CONT	S1	S.F.	1.15	MAX AMB.	40° C	WEIGHT	1179 LBS.	
DOWN THRUST	5600		ENCLOSURE TYPE	WP1				
UPPER BEARING	7224B		BOTTOM BEARING	6314				
OIL CAP.	UPPER BEARING	2.81 QTS	LUBRICATION	MOBILE POLYREX EM				
NON-REVERSE RATCHET - BALL TYPE			SERIAL NO.					
Specifically designed for use on deep well turbine pump applications. Hernando, Mississippi								
					PART WIND START CAPABLE @ 230V			

APPLICATIONS:

Specifically designed for use on deep well turbine pump applications. The coupling is equipped with a non-reverse ratchet, which prevents motor rotation from backspin at shutdown. These motors are built to NEMA standards and have special bearing arrangements to carry heavy thrust loads.