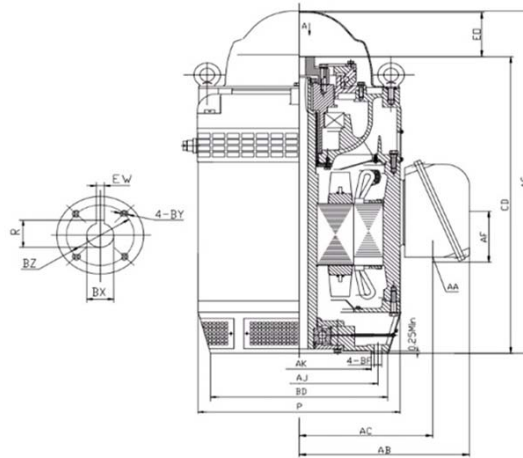


V2-75S4-W36516A

- VERTICAL HOLLOW SHAFT MOTOR
- NEMA PREMIUM EFFICIENCY
- INVERTER DUTY 20:1 VT
- INCLUDES INSULATED BEARING MOUNT - 40 HP AND ABOVE
- HIGH THRUST DESIGN
- THREE PHASE, OPEN DRIP PROOF (WP1) ENCLOSURE
- NON-REVERSE BALL TYPE RATCHET
- COUPLING INCLUDED



DIMENSIONS																
HP	RPM	Frame	MOUNTING DIMENSIONS													
			BD	AJ	AK	BF	BX	BZ	EW	R	BY	CD	E0 >	AC	AA	AF
75	1770	365TP	16.50	14.750	13.50	0.69	1.25	1.75	0.25	1.367	1/4-20	31.16	6.00	13.58	3" NPT	5.83

OVERALL DIMENSIONS			BEARINGS	
P	AB	AG	UPPER	BOTTOM
21.00	17.00	37.16	7224B	6314

COUPLING: Motor comes with a 1.25 coupling. You may select a different size coupling at no extra charge.

BEARING LUBRICATION: The bottom bearing comes lubricated with Mobil Polyrex EM Polyurea Grease.

OIL RESERVOIR: Motor is shipped without oil. The oil capacity is 2.81 quarts.

STEADY BUSHING: Motor is designed to accept a steady bushing. The bore size is 1.654 inches.





V2-75S4-W36516A

VERTICAL HOLLOW SHAFT MOTOR
NEMA PREMIUM EFFICIENCY
INVERTER DUTY 20:1 VT
INCLUDES INSULATED BEARING MOUNT - 40 HP AND ABOVE
HIGH THRUST DESIGN
THREE PHASE, OPEN DRIP PROOF (WP1) ENCLOSURE
NON-REVERSE BALL TYPE RATCHET

PERFORMANCE DATA

HP	RPM	Frame	Voltage	Frequency (Hz)	Full Load S.F.	Insulation Class	NEMA Design	Slip (%)	NEMA Code	Enclosure Type	IP Rating	Max. Ambient	Rating CONT
75	1787	365TP	460	60	1.15	F	B	0.7	H	WP1	23	40° C	S1

Amps (460V)		Efficiency (%)				Power Factor			Torque (ft-lb)			Down Thrust	Angular Contact Bearing	Radial Ball Bearing	Connection	Weight (lbs.)
FLA	LRA	100%	75%	50%	Min.	100%	75%	50%	FLT	LRT %	BDT %	5600	UPPER	BOTTOM	6 Lead Δ	1210
85.0	637.0	95.0	95.0	94.2	94.1	0.87	0.84	0.76	219.0	220	240		7224B	6314		

NAME PLATE

		VERTICAL HOLLOW SHAFT ELECTRIC MOTOR		CONNECTION DIAGRAMS	
INVERTER DUTY 20:1 VT		HIGH THRUST DESIGN		Across The Line 	
MODEL	V2-75S4-W36516A	PHASE	3	Hz	60
HP	75	FRAME	365TP	VOLTS	460
DESIGN	B	CODE	H	AMPS	85
NOM EFF.	95.0	P.F.	0.87	INSULATION CLASS	F
RATING CONT	S1	S.F.	1.15	MAX AMB.	40° C
		WEIGHT	1210	LBS.	
DOWN THRUST	5600	ENCLOSURE TYPE	WP1		
UPPER BEARING	7224B	BOTTOM BEARING	6314		
OIL CAP.	UPPER BEARING 2.81	QTS	LUBRICATION	MOBILE POLYREX EM	
NON-REVERSE RATCHET - BALL TYPE	SERIAL NO.				
Specifically designed for use on deep well turbine pump applications. Hernando, Mississippi					
		PWS Start 		PWS Run 	

APPLICATIONS:

Specifically designed for use on deep well turbine pump applications. The coupling is equipped with a non-reverse ratchet, which prevents motor rotation from backspin at shutdown. These motors are built to NEMA standards and have special bearing arrangements to carry heavy thrust loads.