

Product Information Packet

April 19, 2017

Data shown is for the current revision model #. Ensure your nameplate model # matches.

Model Number:	5KS182CAA104D
Catalog Number:	E9606
Instruction Manual:	GEI-56128
Connection Diagram:	GEM2034E-FIG1
Outline Drawing:	4002B5818RAP5201

Accessory Connection Diagrams			
Bearing Thermocouple:	None	Heater:	None
RTD:	None	Thermistor:	None
Thermostat:	3027JE-2A	Winding Thermocouple:	None
Bearing RTD:	None		

Table of Contents

Specification	01
Performance Characteristics	02
Outline Drawing	03
Connection Drawing(s)	04
Spare parts	05



Marks:

MODEL NUMBER:	5KS182CAA104D	Estimated Weight:	76 Lbs
Outline Drawing:	4002B5818RAP5201	Time Rating:	CONT
Connection Diagram:	GEM2034E-FIG1	Enclosure:	TEFC
Instruction Book:	GEI-56128	Encl Construction:	XP
Design Code:	18BD0104B	Ambient Max(°C):	40
Type:	KS	Alt Ambient Max(°C):	--
Frame:	182T	Insulation Class:	F
Phases:	3	NEMA Design:	B
Poles:	2	Nominal Efficiency:	86.5 %
Output Power:	3HP 2.2KW	Guaranteed Efficiency:	84.0
RPM:	3530	3/4 Load Efficiency:	--
Voltage:	575	KVA Code:	K
Hertz:	60	Max KVAR:	1.1
Amps - FL:	3.2	Power Factor:	81.5
Service Factor:	1.00	Bearing - DE:	6206ZC3
Alt Service Factor:	--	Bearing - ODE:	6206ZC3

Enclosure is Totally Enclosed Fan-Cooled

Stamped Nameplate Notes:

EXPLOSION PROOF MOTOR
TEMP CODE T3C
THERMOSTAT LEADS TB1-TB2
STAMP NP249A5571AC "CL I (C & D) CL II (F & G)"

Additional Information:

2P - T EXTN
STANDARD FLOOR MOUNT
C/BOX 26 CU IN-0.75 NPT
F1 CONDUIT BOX MOUNTING
AUX LEADS EXIT WITH MOTOR LEADS
CL I C & D CL II F & G EXPLOSION PROOF MOTOR

Performance Characteristics

1st Winding 1st Connection

Design: 18BD0104B

Marks:

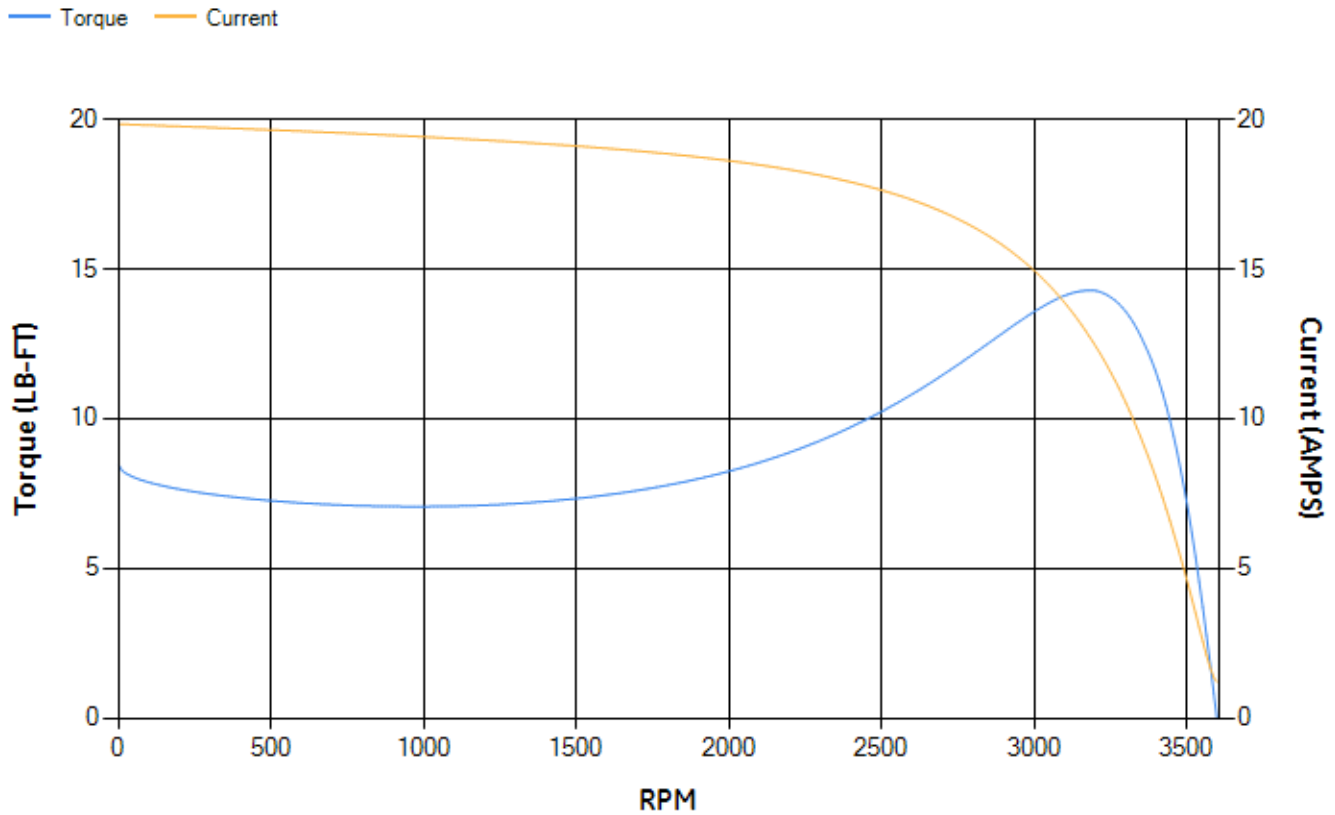
LOAD %	125.0	115.0	100.0	75.0	50.0	25.0	0.0
% EFF	87.02	87.27	87.66	87.04	84.77	76.57	0.00
% PF	84.22	83.44	85.23	76.54	66.23	45.89	13.01
AMPS	3.83	3.55	3.01	2.53	2	1.6	1.2

TORQ(FL)#FT	4.46	TORQ(LR)%FL	189.81	TORQ(BD)%FL	317.89
AMPS(LR)	19.84	PF AT START	0.4		

This motor is capable of two cold or one hot start with a maximum connected load inertia of 37 Lb-Ft Sq (1.56 Kg-meter Sq)at 100% voltage, where the load torque varies with the square of the speed. Acceleration time with maximum inertia and the above load type is 58 seconds. Safe stall time at 100% voltage is 116 seconds cold, 96 seconds hot. Rotor inertia is 0.12 Lb-Ft Sq (0.01 Kg-meter Sq).

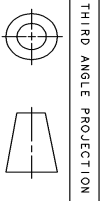
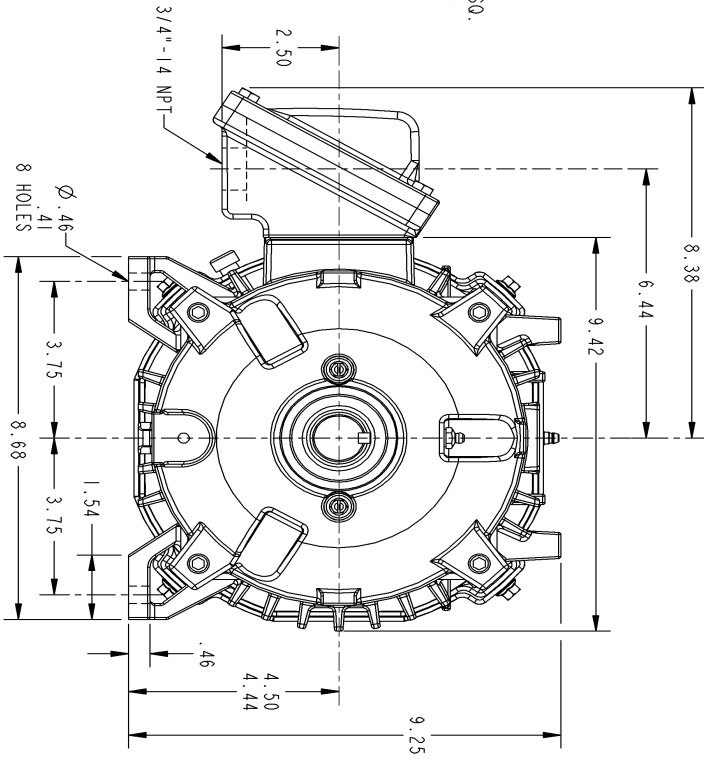
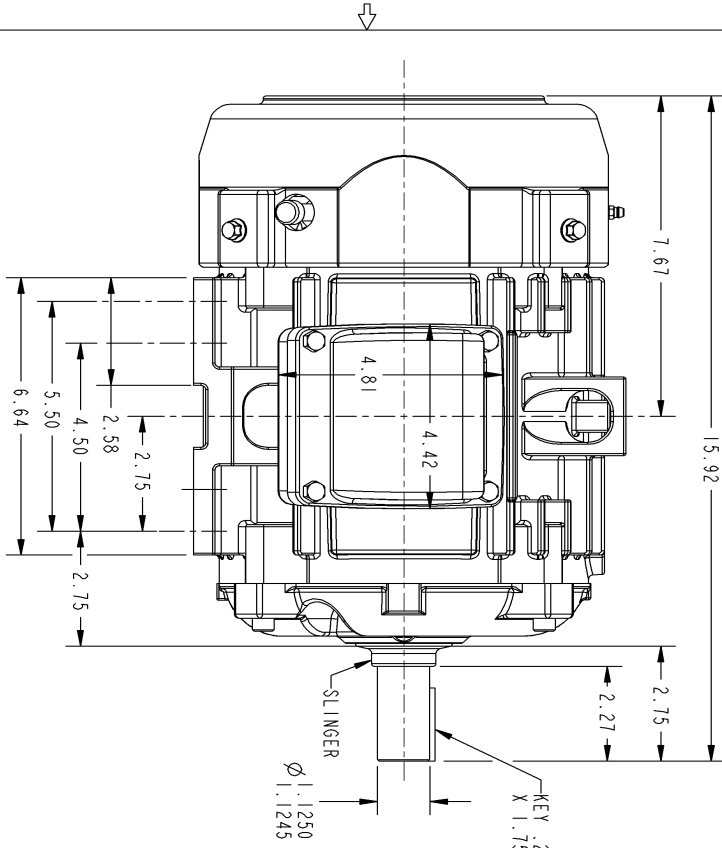
Open Circuit A-C:	0.328	Short Circuit D-C:	0.01
Short Circuit A-C:	0.018	X/R Ratio:	3.89
Stator Slots:	36	Rotor Slots:	28

Speed Torque Current Curve (First Connection, First Speed)



Marks:

NOTE 1: CONDUIT BOX MAY BE ASSEMBLED WITH ENTRANCE UP, DOWN OR TO EITHER SIDE.
 NOTE 2: F1 ASSEMBLY AS SHOWN. F2 ASSEMBLY CONDUIT BOX ON OPPOSITE SIDE FROM SHOWN LOCATION.



SIZE 0
 4002B5818RAP5201

REV.	DESCRIPTION	DATE	APPROVED

SIGNATURES	DATE	REV.
DRWN: GARY WARRNER	APR 2012	0
CHEK: GARY WARRNER	MAY 01/12	
ISSD: GARY WARRNER	MAY 02/12	

APPLIED PRACTICES

GE Industrial Systems
GENERAL ELECTRIC COMPANY
 Fort Wayne, Indiana

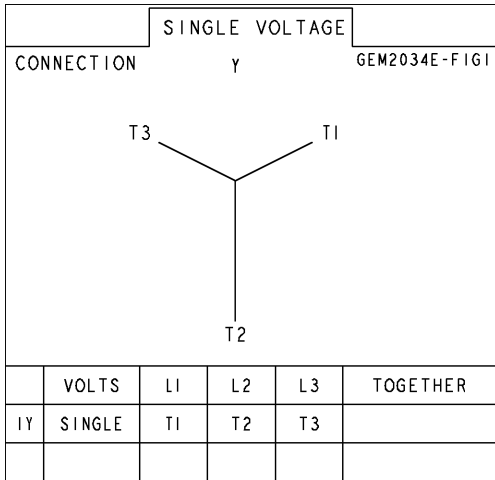
INDUCTION MOTOR OUTLINE
 STANDARD CONSTRUCTION
 FME: FR180T FCXP XSD ULTRA

SIZE: DRAWING 4002B5818RAP5201
 SCALE: 0.400 REF. NO: 4002B5818RAP5201

DISTRIBUTION: PMP-18K15

Marks:

Connection Diagram
GEM2034E-FIG1



Thermostat Connection
3027JE-2A



End shield Assembly		
Part Description	DE Side Part#	ODE Side Part#
End Shield	4004D5271PA1	4004D5271SA1
Bearing	235A2502AM01	235A2502AM01
Slinger/Inproseal	235A2300BL1	

Fan & Fan Cover Assembly	
Part Description	Part#
Fan	346L620AP-G01
Fan Cover	4003C5786PA1

Conduit & Accessories Box Assembly	
Part Description	Part#
Conduit Box	4002B5718RA-G01

Mechanical Accessories	
Part Description	Part#
Brake	
Tachometer	