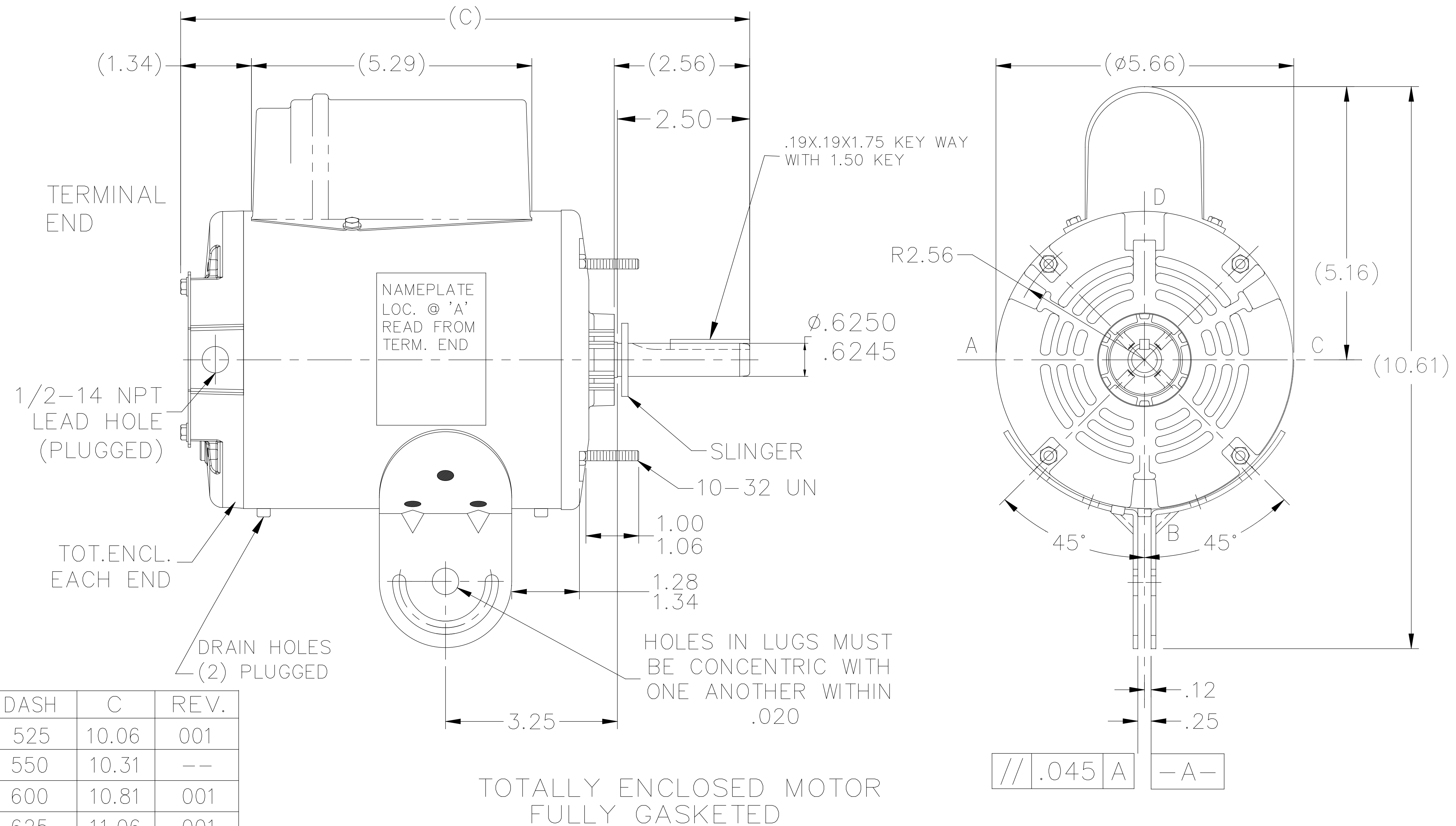
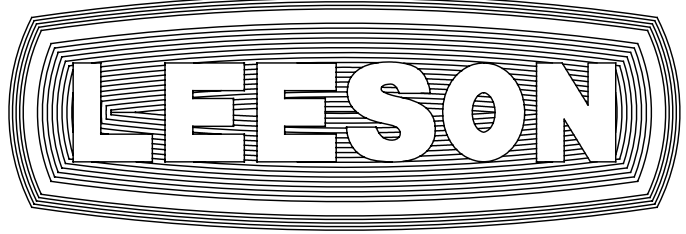


SS403995LE



DASH	C	REV.
525	10.06	001
550	10.31	--
600	10.81	001
625	11.06	001

		TOLERANCES UNLESS SPECIFIED		 ELECTRIC MOTORS GEARMOTORS AND DRIVES	DRAWN SVL 1-11-2012						
		DEC.	INCHES		CHK						
		.X	±	TITLE OUTLINE 48 FR. MAT'L. FINISH	APPD	SVL 1-11-2012					
		.XX	±.03		SCALE	3=8					
		.XXX	±.005		REF	SS403994LE					
		.XXXX	±.0005		FMF	MU111579					
C	1.00/1.06 WAS .94/1.00 ECR 0107818	GWS	8/16/16		PREV						
NO.	REVISION	BY & DATE	CHK	ANG	±7'30"						
THIS DRAWING IN DESIGN AND DETAIL IS OUR PROPERTY AND MUST NOT BE USED EXCEPT IN CONNECTION WITH OUR WORK ALL RIGHTS OF DESIGN AND INVENTION ARE RESERVED THIS IS AN ELECTRONICALLY GENERATED DOCUMENT - DO NOT SCALE THIS PRINT				RFP	1-11-2012	CAD FILE	SS403995LE	SIZE	DRAWING NO.	PAGE 1 OF 1	REV.
				DIST	WP			A	SS403995LE		C