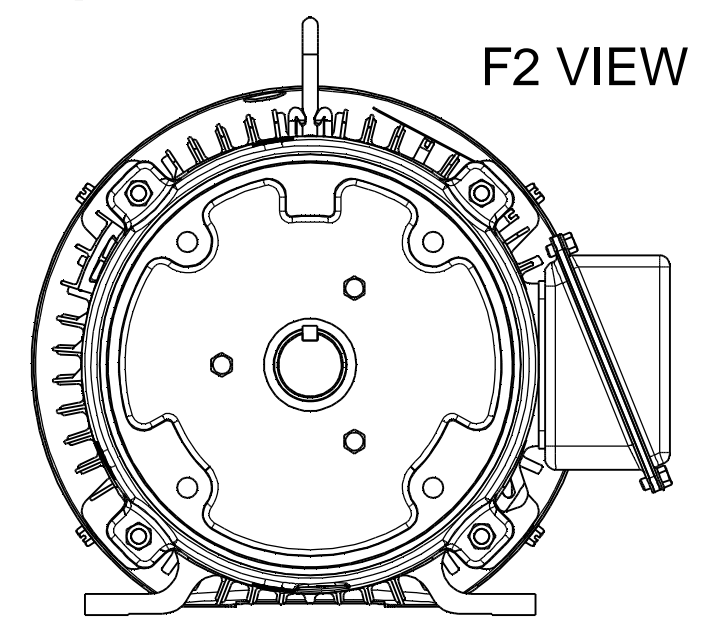


NOTES:  
 1- BOX CAN BE ROTATED IN 90° STEPS.  
 2- NAMEPLATE TO BE READ FROM C'BOX SIDE OF MOTOR.



DASH	FRAME	B	C	AG	2F	2FF	BS	No. OF MTG HOLES
800	213TC	8.12 [206.25]	18.07 [458.98]	14.95 [379.73]	5.50 [139.70]	---	1.33 [33.76]	4
950	213/5TC	9.62 [244.35]	19.57 [497.08]	16.45 [417.83]	5.50 [139.70]	7.00 [177.80]	1.33 [33.76]	8
1050	215TC	10.62 [269.75]	20.57 [522.48]	17.45 [443.23]	7.00 [177.80]	8.00 [203.20]	1.33 [33.76]	8

DRAWING REVISION F  
 ECO ECO-0073312  
 ECO DESCRIPTION  
 UPDATED TO CURRENT STADNARDS  
 COPYRIGHT REGAL BELOIT AMERICA, INC. ALL RIGHTS RESERVED. PROPRIETARY AND CONFIDENTIAL INFORMATION - THIS DOCUMENT IS THE PROPERTY OF REGAL BELOIT AMERICA, INC. ("OWNER") AND CONTAINS OWNER'S PROPRIETARY INFORMATION. ANY PERSON, CORPORATION OR OTHER FIRM RECEIVING IT IS DEEMED, BY RECEIVING IT, TO AGREE THAT IT, AND/OR ANY PART OF IT, SHALL NOT BE DISCLOSED TO ANY PERSON, CORPORATION OR OTHER ENTITY, DUPLICATED, AND/OR USED, EXCEPT AS EXPRESSLY APPROVED IN WRITING IN ADVANCE BY OWNER. THIS DOCUMENT SHALL BE RETURNED TO OWNER UPON REQUEST. IT MAY BE SUBJECT TO CERTAIN RESTRICTIONS UNDER APPLICABLE EXPORT CONTROL LAWS AND REGULATIONS.

TOLERANCES UNLESS OTHERWISE SPECIFIED:  
 DEC. INCH mm ANGLE  
 .X ±0.1 [±2.5] ±7° 30"  
 .XX ±0.03 [±0.76]  
 .XXX ±0.005 [±0.127]  
 .XXXX ±0.0005 [±0.0127]  
 REMOVE BURRS & BREAK SHARP EDGES: .003/.015 [0.076/.381] X 45°  
 CORNER FILLETS: R.02 [.51]  
 MACHINED SURFACES: 200 INCH mm 5.1  
 mm SHOWN IN [BRACKETS]

DRAWN BY MJK  
 DATE 08-30-2004  
 APPROVED BY JPL  
 DATE 09-02-2004  
 REFERENCE  
 THIRD ANGLE PROJECTION

**REGAL**™ Regal Beloit America, Inc.  
 DESCRIPTION  
**OUTLINE**  
 210TC FR - ALUM FR - TEFC  
 MATERIAL PROCESS/FINISH  
 SIZE B DRAWING NUMBER **SS330102LN** SHEET 1 OF 1